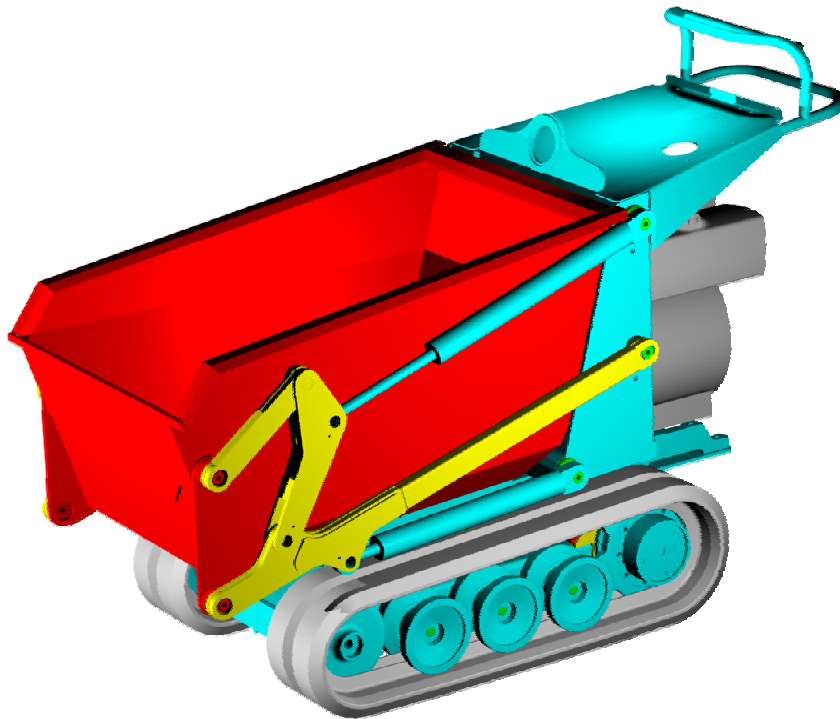


Operating Manual & Routine Servicing



HiT 500



Compact Tracked Carrier



Taylor Construction Plant Ltd.

Quayside Park, Bates Road,
Maldon, Essex, CM9 5FA

Tel: +44 (0)1621 850777

Fax: +44 (0)1621 843330

mail@tcp.eu.com

www.tcp.eu.com

Table Of Contents

Warranty policy and procedures
Sample certificate of conformity

1. INTRODUCTION

Introduction
Safety Precautions
Machine Identifications
Theft Deterrent Practices

2. SAFETY PRECAUTIONS

General
Preventing Fire Hazards
Precaution Electrical Hazard
Pre-Starting
Starting
Operating
Lubrication and Servicing
Decals

3. CONTROLS AND OPERATING

Operating Controls Diagram
Accelerator
Steering the Machine
Reversing the Machine

4. OPERATING

Pre Starting Inspection
Component Checks
Engine Operation
Starting the Engine
With Jumper Cables
Moving and Stopping
Stopping the Engine
Parking
Loading
Tipping
Average Specific Gravity

LUBRICATION AND SERVICING

Safety Precautions
Lubrication and Servicing
Miscellaneous Servicing Information
Recommended Lubricants
Lubrication Chart
Overall Size Dimensions (Various)
Basic Vehicle Details
Miscellaneous Bolt & Nut Torque Specification
Every 10 Hours of Operation (Daily)
Every 50 Hours of Operation
Every 1,000 Hours of Operation
Every 2,000 Hours of Operation
Replacement of Rubber Track

Warranty Policy and Procedures

Foreword

Thank you very much for purchasing this Taylor Construction Plant Ltd product. We believe that it will serve you without fail. Ensure that you read the Operator's Manual carefully before use. With proper handling and maintenance, this TAYLOR CONSTRUCTION PLANT Ltd product will provide excellent service over an extended period of time.

Registration

Each machine supplied by TAYLOR CONSTRUCTION PLANT Ltd is accompanied by a registration card. This card must be completed in full and returned to:

Warranty Manager (email: warranty@tcp.eu.com)

Taylor Construction Plant Ltd.

Quayside Industrial Park

Bates Road

Maldon

Essex, CM9 5FA

Failure to register your machine may invalidate the manufacturer's warranty.

Liability

The warranty period begins when the product is delivered to and installed at the first purchaser. Only genuine parts may be used to carry out repairs. Failure to use only genuine parts may invalidate the Manufacturers Warranty.

TAYLOR CONSTRUCTION PLANT Ltd will not be held responsible if:

- (i) the machine has been used to perform tasks that demand more than it's design and strength limitations, or
- (ii) the machine has undergone modifications not approved by TAYLOR CONSTRUCTION PLANT Ltd, or
- (iii) conditions of use have been abnormal, or
- (iv) normal maintenance, with regard to requirements as set out and detailed by the manufacturer, have not been adhered to.

TAYLOR CONSTRUCTION PLANT Ltd will not pay for normal maintenance or servicing nor any materials used to carry out routine servicing.

The warranty liability of TAYLOR CONSTRUCTION PLANT Ltd is limited to diagnosis, repair or replacement of the defective part, and actuating the repair - depending on the product terms and conditions, this will be free of charge.

TAYLOR CONSTRUCTION PLANT Ltd shall be under no liability whatever to the customer for any indirect loss and/or expense (including loss of profit) suffered by the customer arising out of a breach by TAYLOR CONSTRUCTION PLANT Ltd of this contract.

Warranty Audits and Surveys

TAYLOR CONSTRUCTION PLANT Ltd reserves the right to carry out audits and inspections from time to time in relation to any reimbursed or outstanding warranty claims in order to determine that all relevant details and information is correct.

Service and Warranty Training

Service and warranty training for service fitters can be requested in writing. Initial training is to be carried out at an appropriate TAYLOR CONSTRUCTION PLANT Ltd workshop. Once this initial training has been carried out, you are responsible to carry further training as required by your own service centre or depot network.

Service Bulletins

TAYLOR CONSTRUCTION PLANT Ltd may from time to time issue service bulletins to keep you up to date as to any improvements or changes that may take place on the complete assembly or component parts.

Warranty Terms for Machines

Model	Terms
TAYLOR CONSTRUCTION PLANT Hi-T500 tracked dumper	One year or 1200 hours whichever occurs first from date of installation
TAYLOR CONSTRUCTION PLANT Hi-C40 mobile crusher	One year or 1200 hours whichever occurs first from date of installation

ALL ENGINE WARRANTY ISSUES MUST BE DIRECTED TO THE ENGINE MANUFACTURER, OR THE MANUFACTURERS APPROVED/APPOINTED ENGINE DEALER.

General Exclusions:

THE FOLLOWING ARE WARRANTY EXCLUSIONS AS DETERMINED BY KUBOTA:
Service items including lubricants, coolants, filters, glow plugs, fan belts, fuel injection equipment, stop solenoid, leaks (oil, water and air), IN ADDITION: paintwork, wear parts and tracks.

Warranty Claim Submission Procedures

Claims must be reported accurately and all relevant details given, as follows:

OWNERS NAME AND ADDRESS: full name and address of customer and site location, if different

MACHINE TYPE: State machine type, i.e. Hi-T500, tracked dumper, Hi-C40, crusher

DATE OF FAILURE:

INSTALLATION DATE: The actual date of installation, not invoice date

SERIAL NUMBER: Serial number of unit

ENGINE NUMBER: Serial number of engine

HOURS USED: State hours used on hour clock. Please do not guess the hours used

DETAILS OF FAILURE: Give a full report on the failure

ORDER NUMBER: An order number **will** be required

Note: the order number is to cover the diagnostic and call out time, as well as to determine the following:

(i) That the failure is to be covered under the terms and conditions of warranty. If this is the case, then the costs will be covered by TAYLOR CONSTRUCTION PLANT Ltd and the **order number will not be used**.

(ii) If the failure is determined to be of a non-warrantable nature, further authorisation to continue will be sought before any rectification work takes place.

The information above must be provided even if your warranty claim is a “parts only” claim. An invoice will be raised for the exchange parts. The reported faulty/defective part must immediately be returned to TAYLOR CONSTRUCTION PLANT Ltd and full inspection of the parts carried out, if the failure is covered under the terms and conditions of warranty a credit note corresponding to the invoice will be despatched to the customer. If the failure is deemed to be of a non-warrantable nature, the invoice should be settled immediately.

Kubota UK Engine Dealers:

Bryce Group Ltd.

Daimler Close, Royal Oak Industrial Estate, Daventry, Northants NN11 5QJ.

Tel:- 01327- 876166 Fax :- 01327- 300244

admin@bryco-diesel-engines.co.uk www.bryco-diesel-engines.co.uk

C.M.H. LTD.

Maudlins Industrial Estate, Monread Road, Naas, Co Kildare, Eire.

Tel :- 00-353-458-76225 Fax :- 00353-459-7476

cmhltd@gofree.indigo.ireland

Hurley Engine Services.

Unit 7, The Maltings Industrial Estate, Brassmill Lane, Bath, Somerset, BA1 3JL.

Tel :- 01225-336812 Fax :- 01225-442477

info@hurleyengines.co.uk

J & E Motor Engineers.

23 Polmont Road, Laurieston, Falkirk, FK2 9QQ.
Tel :- 01324-633266 Fax :- 01324-633870
jem.engines@btopenworld.com

John A Sparks & Co. Ltd.

Western Industrial Estate, Caerphilly, CF83 1BQ,
Tel :- 02920-807080 Fax :- 02920-8707081
kevinashworth@a-sparks.com www.a-sparks.com

Meetens Industrial Engines Ltd.

261-269, Coombe Lane, Wimbledon, SW20 0RH,
Tel :- 0208-9464244 Fax :- 0208-9472595.
sales@meetens.com

Northern Lift Trucks (Northern Ireland) Ltd.

1 Flush Park, Knockmore Road, Lisburn, BT28 2DX.
Tel :- 02892-673111 Fax :- 02892-660618
info@northern-group.co.uk

Phoenix Power Services.

Unit 12, Thames Trading Centre, Woodrow Way, Irlam, Manchester M44 6BP.
Tel :- 0161-775-4053 Fax :- 0161-776-2047.
phoenixpower@btclick.com

Sean Cleary & Son Eng.Ltd. I.D.A. Industrial Estate, Dublin Road, Loughrea, Co.Galway, Eire.

Tel :- 00-353-91-841420 Fax :- 00-353-91-842823
paddyCleary@eircom.net

Sleeman & Hawken Ltd.

Bridge Road, Shaldon, Devon, TQ14 ODD.
Tel :- 01626-872750 Fax :- 01626-873767.
keithmason@sleeman-hawken.demon.co.uk

Trucks Morley Ltd.

Bruntcliffe Road, Morley, Leeds, LS27 0JZ
Tel :- 0113-2526777 Fax :- 0113-2380310.
trucksmorley@tiscali.co.uk

Universal Engine Power Ltd.

Unit 9, Fritch Industrial Estate, Chelmsford Road, Great Dunmow, Essex, CM6 1XJ.
Tel :- 01371-875331 Fax :- 01371-874777
info@unipower.uk.com www.unipower.uk.com

Wood Leigh Power Equipment Ltd.

Unit 20, Highcroft Industrial Estate, Enterprise Road Horndean Waterlooville Hants PO8 0BT.
Tel :- 02392-571360 Fax :- 02392-592056.
enquiries@woodleighpower.free-online.co.uk www.woodleighpower.co.uk

Yardbury Kinetics Ltd.

Altens Trade Centre, Hareness Circle, Aberdeen AB12 3LY
Tel :- 01224-897947 Fax :- 01224-872374
a.huntley@yardburykinetics.com

CERTIFICATE OF CONFORMITY

We declare that this product complies with the following Standards/Directives.

Machinery Directive 89/392/EEC as implemented by The Supply of Machinery (Safety) Regulations 1992 (Amended 1994).

BS/EN500 Mobile road construction machinery (Safety)

Product :Tracked Carrier
Model :HiT 500
Serial No :HT-Bxxxx
Manufacturer Date :xx/xx/2002

Signed: *P Drew*

Date: xx/xx/2002

Mr Paul Drew
Development Manager

This is a sample certificate of conformity inserted in this manual for reference, each machine is issued with a bespoke certificate sent to the head office of the purchaser, and copies are available on the request of purchaser.

1. Introduction

Please read carefully and understand before operating the equipment.

This Handbook is provided as a guide to familiarise the operator and service engineer with the controls, recommended inspections, start-up, operating, and shutdown procedures for HiT range of equipment.

Safety Precautions

*This piece of equipment is designed as a compact tracked carrier with the carrying capacity of 500 Kg only.
At all times loads should be carried with the body in the low position and raised for tipping only when the unit is stationary*

**FAILURE TO COMPLY WITH WARNINGS COULD RESULT
IN SERIOUS PROPERTY DAMAGE AND POSSIBLE
PERSONAL INJURY.**

The machine should be properly operated and maintained to keep it in safe efficient operating condition. Be sure that all controls are free of mud, grease, or other matter that might cause slips hazardous to the operator, serviceman, or other personnel or equipment.

Report all malfunctions to those responsible for maintenance. Do not operate the equipment until corrected. Normal service or maintenance performed as required can prevent unexpected and unnecessary down time. This handbook describes general inspections, servicing and operation with the normal safety precautions required for normal servicing and operating conditions. It is not a guide however, for other than normal conditions or situations.

Operators and Servicemen must be safety conscious and alert to recognise potential operating or servicing safety hazards at all times, and take, necessary precautions to ensure safe operation and servicing of the machine.

All information, illustrations and specifications contained in this publication are based on the latest product information available at the time of publication. The right is reserved to make changes at any time without notice

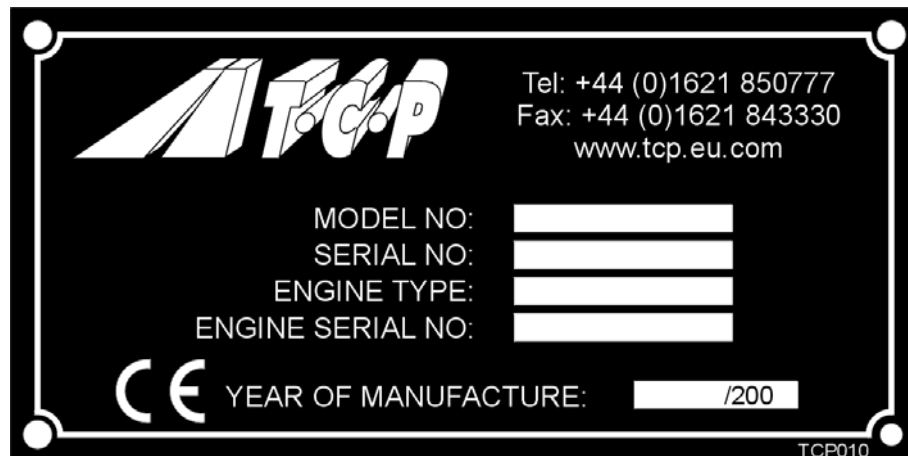
Continuing improvement and advancement of the design may cause changes to your machine that may not be included in this publication.

This Handbook contains lubrication and routine servicing instructions, most of which can be performed in the field. Service manual containing repair and rebuild procedures are available from the factory.

Machine Identification

Whilst reading this handbook you will notice references to controls and equipment that may not be found on all machines. It is important that you know your machine and its equipment and how to operate it properly.

Information regarding the machine model, code and chassis serial number is on the unit serial number plate. This plate is on the rear Left-hand side the machine model and serial number should always be referenced in any correspondence with your dealer or factory.



Data Plate (fig 1)

Theft Deterrent Practices

The owner/operator should take the following precautions to discourage theft, to aid in recovery in the event that the machine is stolen, or to reduce vandalism.

Actions to Discourage Theft and vandalism

- Remove all keys any time the machine is left unattended.
- Immobilise the machine by removing a critical electrical or starting system device.
- Upon receipt of a machine, record the machine serial number and the serial numbers of all-major components and attachments. Keep this list up to date and filed in a safe location for fast retrieval.
- Place a decal or notice on the machine stating that all serial numbers are recorded.
- Discourage the thief! Inspect the gates and fences of the machinery storage yard or construction site. Keep machines in well-lit areas and ask the local law enforcement authorities to make frequent checks around the storage yard or work site.
- Establish liaison with neighbours and ask them to watch equipment left at job sites and to report any suspicious activities to local law enforcement authorities.
- Make frequent inventories of machines to promptly detect losses or vandalism.

Actions to aid in recovery of stolen machines

In the event of theft, immediately notify the law enforcement authorities having jurisdiction. Provide the investigating officer with name, type of equipment, chassis and serial numbers of major attachments and components. It would be helpful to show the investigating officer an Operator's Handbook, photographs, and advertising, to familiarise him with the appearance of the machine.

Report the theft to the insurance company. Provide the model and all serial numbers.

Report the model and serial numbers of the stolen machine to a dealer handling the respective line of equipment. Request that the dealer forward this same information to the equipment manufacturer.

2. Safety Precautions

General



- Read this operator's Handbook and learn the operating characteristics and limitations of the machine. Know what operating clearances the machine requires.
- Know clearances of all side and overhead obstructions such as wires, etc., for operating safety.
- Be aware of operating hazards that weather changes can create on the job. Know proper procedures to follow when a severe rain or electrical storm strikes.
- Never attempt to operate or work on a machine when not feeling physically fit.
- Know what safety equipment is required and use it. Such equipment may be hardhat, safety glasses, reflector type vests, respirators and earplugs.
- Never wear loose clothing, rings, and watches etc. that might catch levers and controls and cause loss of control.
- Keep hand controls free from water, grease and mud to assure non-slip control.
- Handle fuels and lubricants carefully and clean up spills to avoid fire and slipping hazards.
- Never rush. Walk do not run.

Preventing Fire Hazards



General Fire Precautions

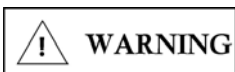
- Clean all dirt, oil, grease and other fluids from systems and components to minimise fire hazards and aid in spotting loose or leaking lines, fittings etc.
- Check the engine for rubbish, oily rags or other debris that could cause fires before starting the engine.
- Safely dispose of greasy, oily rags or similar hazards.
- Flammable Fluid Precautions
- Don't use diesel fuel or other flammable fluids for cleaning purposes. Use approved non-flammable solvents.
- Make sure all-fluid systems caps, drain, valves, fittings, lines etc., are secure and leak free.
- Never use an open flame (match, lighter etc.) when checking fuel, lubricant, coolant and battery fluid levels or when checking for fluid leaks. Use a flashlight or other safe lighting only.
- Shut off engine and use extra caution if engine is hot when refuelling. Never smoke while checking or adding fuel or other fluid or handling fluid containers and lines.
- Use care and do not stand downwind when adding fuel or other flammable fluids to tanks and reservoirs to avoid fluids being blown or splashed onto clothing.
- Close fuel tank shut-off valves, if used, before servicing fuel system.
- When preparing machines or components for storage, seal and tape all openings and close containers tightly to seal in all volatile inhibitor fluids and compounds used.
- Follow manufacturer's recommendations when handling and using engine-starting fluids and disposing of spent containers. Do not puncture or burn empty containers. These fluids are explosive and highly flammable.

Precautions Electrical Hazard.



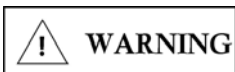
- Never smoke or allow open flames or sparks near batteries.
- Leave battery box open when charging batteries in machine for adequate ventilation of explosive gas (Hydrogen) produced.
- Always disconnect batteries before repairing electrical system to avoid danger of fire-causing sparks. Disconnect battery ground cable first and reconnect last.
- Always disconnect batteries and alternator leads before carrying out any welding on the machine.
- Never check battery charger by placing metal objects across battery posts to avoid sparks at battery posts.
- Use jumper cables only as recommended. Improper use can result in battery explosion or unexpected machine motion.
- Never operate engine starter for more than 15 seconds and allow 30 seconds between cranking periods for cooling. An overheated starter could cause a fire.

Pre-Starting



- If engine is to be started and run indoors, ensure proper ventilation to remove deadly exhaust gases.
- Always perform 'Pre-Starting Inspection' instructions described in this manual to ensure the machine is ready for operation.

Starting



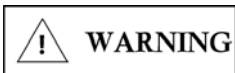
- Do not start the engine or operate any control if there is a 'DO NOT OPERATE' or similar warning sign attached to any control.
- Use jumper cables only as recommended. Improper use can result in battery explosion or unexpected machine motion.
- Always obey 'Starting the Engine' instructions.
- Start and operate the machine **only** from the operator's station.

Operating



- Always perform 'Pre-Operating Checks' described in this manual to ensure the machine is ready for operating.
- Do not operate the machine if exposed personnel enter the immediate work area.
- Be sure the body is fully down before moving the machine-warning buzzer will sound if body is not fully down.
- Always try to face or look in the direction the machine is travelling.
- Always operate straight up or down slopes whenever possible. Side-hill operation can cause sideslip and possible rollover.
- Slow down when moving in congested areas. Do not race with other machines. Stop in authorised areas only, except in an emergency.
- Always watch for holes, soft edges or other hazards when dumping over a spoil bank.
- Operate body raising mechanism on firm level surface only, a buzzer will sound to warn the operator and others in the area once the body raises above horizontal.

Lubrication and Servicing

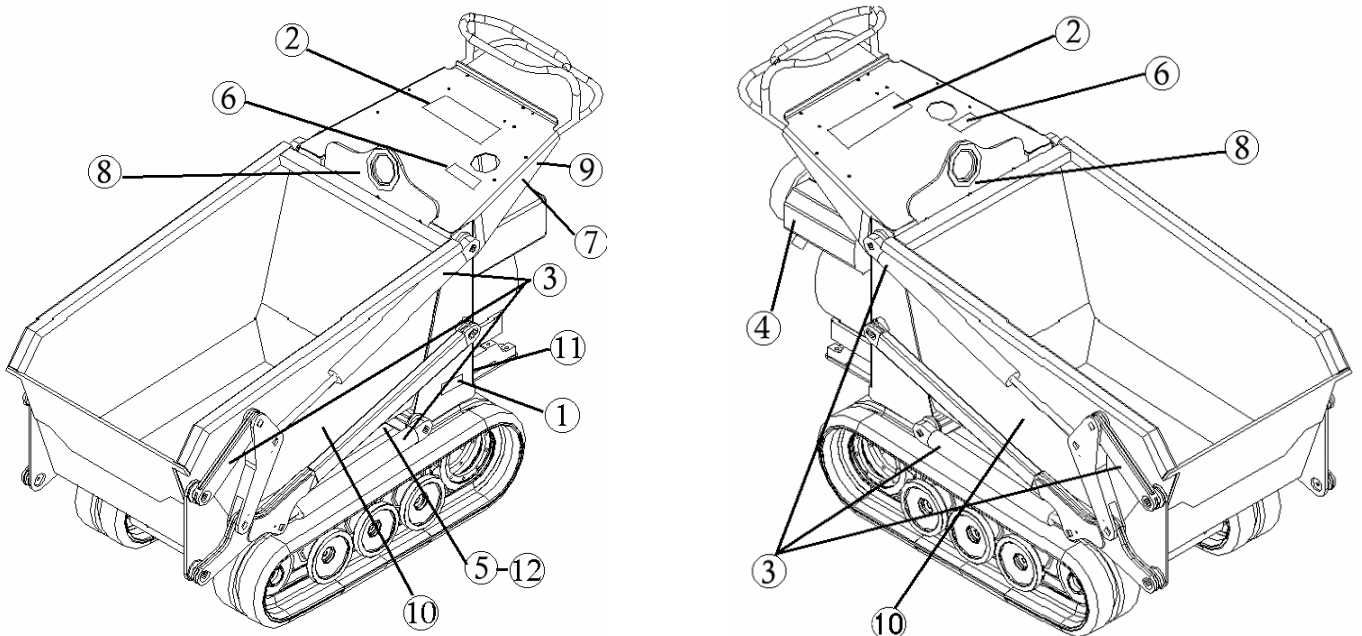


- Do not allow unauthorised personnel to service or maintain the machine. Study the Operator's handbook and Service Manual before starting, operating or servicing the machine.
- Do not work under or near unblocked or unsupported body. Always invert the empty body.
- Do not work under or near any unblocked or unsupported linkage, part or machine.
- Always relieve pressure before servicing any pressurised system.

Decals

Decals fitted to machines may vary from country to country to suit local needs. These pages contain a brief description and the location of the decals and control plates that may appear on this machine.

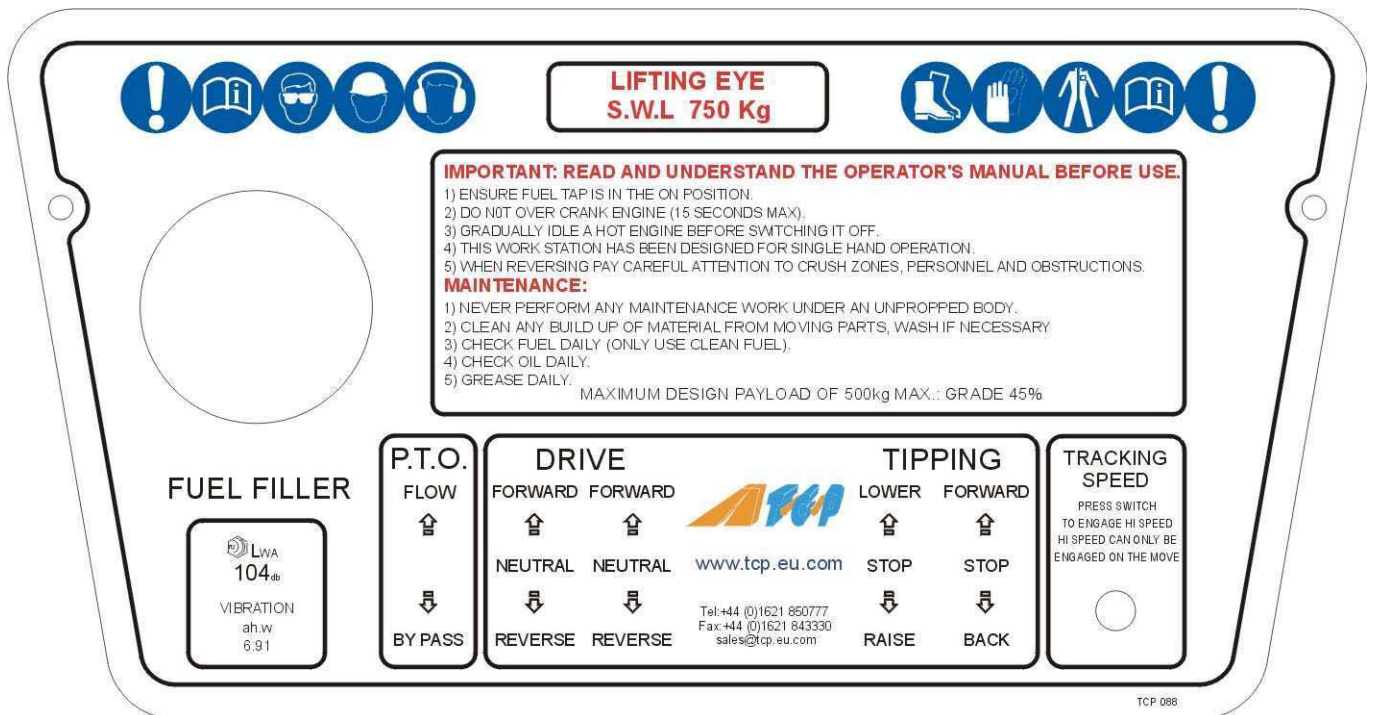
Ref	Part Number	Part Name	Qty
1	80-0001	"Serial Data Plate"	1
2	80-0002	"Control Panel Decal" (state year)	1
3	80-0003	"Warning Crush Zone"	6
4	80-0004	"Warning Hot Exhaust"	2
5	80-0005	"Hydraulic Oil Filler"	1
6	80-0006	"Fuel Filler"	1
7	80-0007	"CE Marking"	2
8	80-0008	"Hoisting Point"	1
9	80-0009	"Danger Keep Clear"	2
10	80-0010	Logo Body "H T 500" Left/Right Hand	2
11	80-0011	P T O (Optional)	1
12	80-0012	Hydraulic Oil filter and dipstick	1



Decal Layout (fig 2)

3. Controls and Operating

Operating Control Diagram



A view of the handlebar and control (2002) (fig 3)

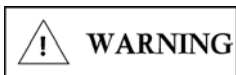
Engine Accelerator

This is mounted on the left-hand side of handlebar assembly and is operated by the hand. Press the lever down as required to increase fuel flow to accelerate the engine.

Do not place engine under full load at full speed immediately after starting. Always allow the engine to fully circulate lubricant and warm up gradually before operating at full speed and full load. Operate the engine at top rated speed when maximum power is needed for maximum speed and load.

Steering Via Hydrostatic Drive

The steering is performed by:



- To steer the machine, apply differing pressure to the control levers.
- Apply equal pressure on both levers to the forward position will make the machine move forward in the desired direction at speed.
- The machine will turn only when more or less pressure is applied to either lever proportional to the lever movement

To operate in the opposite direction.

The Reverse procedure is performed by:

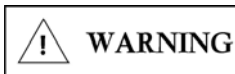


- Apply equal pressure on both levers to the reverse position will make the machine move backward in the desired direction at speed.
- The machine will stop and hold any position when the both levers are released (Dead-man Brake)

4. Operating

Operating

Pre-starting Inspection



- Before the engine is started ensure the machine is ready for operation
- The machine should be in a level position to permit accurate checking of fluid quantities in the engine and other components.
- Walk around the machine and carry out the Inspections and Components Checks described on the following pages.

Daily Component Checks

- Reference should be made to engine manufactures handbook.
- Engine - With engine off, check oil level. The level should be just over the last thread at filler Add oil if low. (See lubricant chart for correct oil).
- Inspect the engine air cleaner for any damage (replace immediately. Using an engine with a damaged air cleaner will seriously reduce engine life)

***THESE INSTRUCTIONS MUST BE ADHERED TO IN ORDER TO
ASSURE CONTINUANCE OF ENGINES WARRANTY.***

- Carefully inspect tracks for cuts, or other damage, and correct spring preload.
- Inspect for any leaks whether fuel, engine oil or hydraulic oil.
- Check fuel level - Fuel tank should be filled at end of each shift.

Engine Operation



Do not place engine under **FULL LOAD** at **FULL SPEED IMMEDIATELY** after starting. **ALWAYS** allow the engine to fully circulate lubricant and warm up gradually before operating at full speed and full load.

Operate engine at top rated speed when maximum power is needed for the load.

**NEVER IDLE THE ENGINE FOR MORE THAN 5 MINUTES AT A TIME.
SHUT IT OFF.**

If operated outside its normal operating range, shut engine down immediately and report to service or maintenance personnel.

WARNING

Never start the engine indoors unless proper exhaust ventilation is provided to remove deadly exhaust gases. Once the engine is running, move the machine outdoors as soon as possible. Exhaust gases are hazardous and can cause unconsciousness and death.

Operating the engine beyond high idle speed can cause severe engine damage. The engine speed must not exceed 3,600 rev/min under any circumstances. When descending a steep grade, use a combination of lever and engine speed.

Starting the Engine

1. Make sure that all levers are in the neutral position.
2. Insert switch key and turn clockwise to position '1' to switch on the ignition. (Run position)
3. If engine is cold turn to pre heat position '2' and hold for 20 seconds
4. Turn key further clockwise against spring pressure to position '3' to crank engine; release key as soon as engine starts firing.

NOTE:

**Never crank the engine for more than 15 seconds continuously.
Allow starter at least 30 seconds cooling time between cranking periods to avoid
overheating.**

Starting the Engine with Jumper cables.

To access the battery you will need to tip the body forward in the down position to gain access to the cover plate, remove the 3 bolts that secure it to the chassis once this has been done you can remove the plate and locate the battery

WARNING CHARGING OF ODYSSEY BATTERIES

Check for polarity connections of the discharged battery.

Do not exceed 15 volts during charge. Excessive booster voltage and/or incorrect jumper cable connections will destroy working plates inside battery. Keep all sources of ignition away from batteries. Do not lean over batteries.

Do not allow the battery to become full discharged you may find that it can not be recover from this state rendering it unserviceable

Voltmeter Reading	State of charge
12.84 Volts	100%
12.50 Volts	75%
12.18 Volts	50%
11.88 Volts	25%

Do not jump start a vehicle by using arc welding equipment. Currents and voltages are dangerously high and cannot be sufficiently reduced to make the method safe.

NOTE: Be sure machines are not touching each other. Use cables that are equal to cable size on the machine.

If jumper cables are used to start an engine, be sure to follow this procedure:

Connect one end of a jumper cable, usually coloured red, to the discharged battery 'POSITIVE' (+) post.

Connect the other end of the same cable to the 'POSITIVE' (+) post on the booster or charged battery.

Connect one end of the second cable, usually coloured black, to the 'NEGATIVE' (-) post of the booster battery.

Connect the other end of the 'NEGATIVE' (-) cable to machine frame for grounding so that if a spark occurs, it is away from battery fumes (explosive hydrogen).

Check for cause of failure on the dead battery.

Moving and Stopping



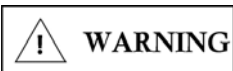
1. Make sure the area around the machine is clear of personnel and obstructions before moving off.
2. In the first few minutes of travel check carefully for the required controls for maximum operating safety.
3. Make sure the body is fully down, buzzer will sound if in the raised position.
4. Select the driving direction and the required engine speed.
5. Move levers to the required position; apply more accelerators until the required speed has been reached.
6. To stop the machine release the control levers slowly and release the accelerator as the machine slows until it stops.

Stopping the Engine



1. Cool a hot engine by operating the engine at 1,000 rev/min and then slowly decelerating it over a 5-minute period until the engine is idling. Let it idle for at least 2 minutes. **ALWAYS COOL A HOT ENGINE GRADUALLY BEFORE SHUTTING IT OFF.**
2. Turn ignition key switch off to shut off fuel and stop engine.
3. Make sure body is in the lower position.

Parking



When parking the machine overnight, or for an extended period, the following procedure in addition to that given in 'Stopping the Engine' will help maintain it in good condition for subsequent use:

1. Fill the fuel tank completely before parking the machine overnight or for extended periods, to prevent condensation. If security kit is supplied, keep it locked
2. Always park on level ground where possible. If it must be parked on a slope, position machine at right angles to the slope and block tracks securely.
3. Remove key to a place of safety

WARNING

**Check tracks, hoses, wiring, tubing and fittings for cuts, abrasion, fraying, or other damage or deterioration. Inspect for damage to the body or chassis.
Attach warning signs to the controls to alert others if lubricant has been drained, batteries removed etc.**

Loading

The most common methods of loading this type of machine is with hydraulic excavators, or by hand, these units can be loaded equally well from the front or the side. Ideally, excavators should require 90° or less swing.

Always position the machine on a level firm surface for loading and leave the loading area until indicated by loader driver.

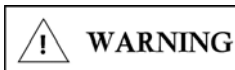
The following precautions should be observed when approaching the loading area and while being loaded wait until it is safe to return to the machine.

Avoid over filling the dump body. Spillage could damage the tracks and other components. Clear up such debris (see fig 4).

Do not load with machines that are over large and would allow material and fill to fall from the bucket missing the body. This can be dangerous to both operator and the unit.

Pay attention to site conditions to avoid rocks, holes, or other obstacles. Such obstacles present hazards to safe operation, but also can needlessly damage tracks.

Tipping



The tipping operation usually depends on the type of material being hauled.

Be aware of other personnel within the operating area.

A warning buzzer sounds whenever the body is raised above the horizontal position, this is as a general warning to the operators and other personnel in the operators' zone to take necessary care and precautions.

If tipping at low level, ensure you are clear of all obstacles within the tipping arc of the body. It is possible to fully invert the body of the Hi-T tracked carrier, care must be

taken that the load to be discharged will readily leave the body once tipping commences. A retained load may result in machine instability.

Never leave a machine loaded over night, or load with a material that could settle with the engine ticking over for a long period.

Always clean the body of any retained load for efficient safe working.

Be aware of any precautions and additional safety equipment that may be needed when handling, hazardous, caustic or cementitious materials.

If in doubt seek advice.

Before discharging the load, the machine must be on firm level ground. If one track is higher than the other, a twisting strain is imposed upon the body hinge pins and chassis. This could result in machine instability and damage.

Use the control levers to position the body. Operate from the designed operating position only, keep clear of the tipping mechanism injury could occur. Once the load has been tipped, move the control levers into the 'DOWN' position.

If the load does not clear completely, the built in stops in the mechanism may be used to assist discharge, the cylinder does not need to be retracted before extending again.

To tip into a waste skip choose a position that will allow the body to fully discharge its load, raise the body only with the machine stationary, once raised the machine may be inched forward until the tracks contact the side of the waste skip. The body can then be tipped to discharge load.

Average Specific Gravity

Material	Loose Density		Fill Factor %
	kg/m^3	Ib/yd^3	
Snow (Fresh)	200	337	100
Peat (Dry);	400	674	100
Sugar beet	530	894	100
Coke (Loose)	570	961	85
Barley	600	1012	85
Petroleum Coke	680	1146	85
Wheat	730	1231	85
Coal Bituminous	765	1290	100
Fertilizer (Mixed)	1030	1737	85
Coal Anthracite	1046	1764	100
Earth (Dry)(Loose)	1150	1939	100
Nitrate Fertilizer	1250	2180	85
Sodium Chloride (Dry)(Salt)	1300	2192	85
Cement Portland	1440	2428	100
Limestone (Crushed)	1530	2580	100
Sand (Dry)	1550	2613	100
Asphalt	1600	2698	100
Gravel (Dry)	1650	2782	85
Clay (Wet)	1680	2832	110
Sand (Wet)	1890	3187	110
Fire Clay	2080	3507	100
Ready Mixed Concrete	2194	3698	85
Copper (Concentrate)	2300	3878	85
Slate	2800	4721	100
Magnetite	3204	5402	100

Specific Gravity (fig 4)

5. Lubrication and Servicing

SAFETY PRECAUTIONS

Do not allow unauthorised personnel to service or maintain this machine. Study the Operator's Handbook and Service Manual before starting, operating or servicing this machine. Always follow procedures and safety precautions detailed in this manual.

Do not work under or near an unblocked or unsupported body. Always invert the empty body.

Do not work under or near any unblocked or unsupported linkage, or any part of machine.

Always shut down machine according to the procedure described under 'Stopping The Engine' before cleaning, lubricating or servicing the machine

Always relieve pressure before servicing any pressurisation system.

Always attach a '**DO NOT OPERATE**' or similar warning sign to ignition switch or a control before cleaning or servicing the machine.

LUBRICATION AND SERVICING

Lubrication is an essential part of preventive maintenance. It is important that the instructions regarding types of lubricants and the frequency of their application be followed to prolong the useful life of the machine. Periodic lubrications of moving parts reduce to a minimum the possibility of mechanical failures.

Thoroughly clean all fittings, caps, plugs etc., to prevent dirt from entering the system while servicing.

Lubricants must be at operating temperatures when draining.

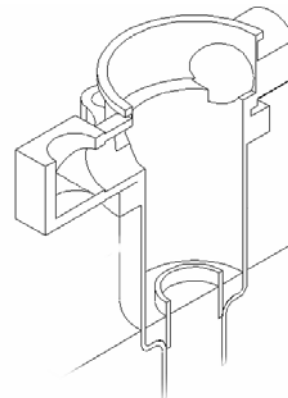
Do not operate any system unless oil level is within the operating range as indicated on the dipstick, or level plug.

All change and service periods are recommendations based on average operating conditions. Lubricants showing evidence of excessive heat, oxidation or dirt should be changed more frequently to prevent these conditions. Lubricants change and service periods must be established on the basis of individual job conditions.

Miscellaneous Servicing Information

When required:

- Hydraulic Tank - Cold Oil Level –
- Hydraulic oil dipstick is not used to checked oil it is there to allow the air in the tank to be displaced when filling.
- To ad oil, remove red top of filter, pull out filter, and remove dipstick, if low fill through the filter housing until the level is 6mm below the tube in the base of the filter housing.

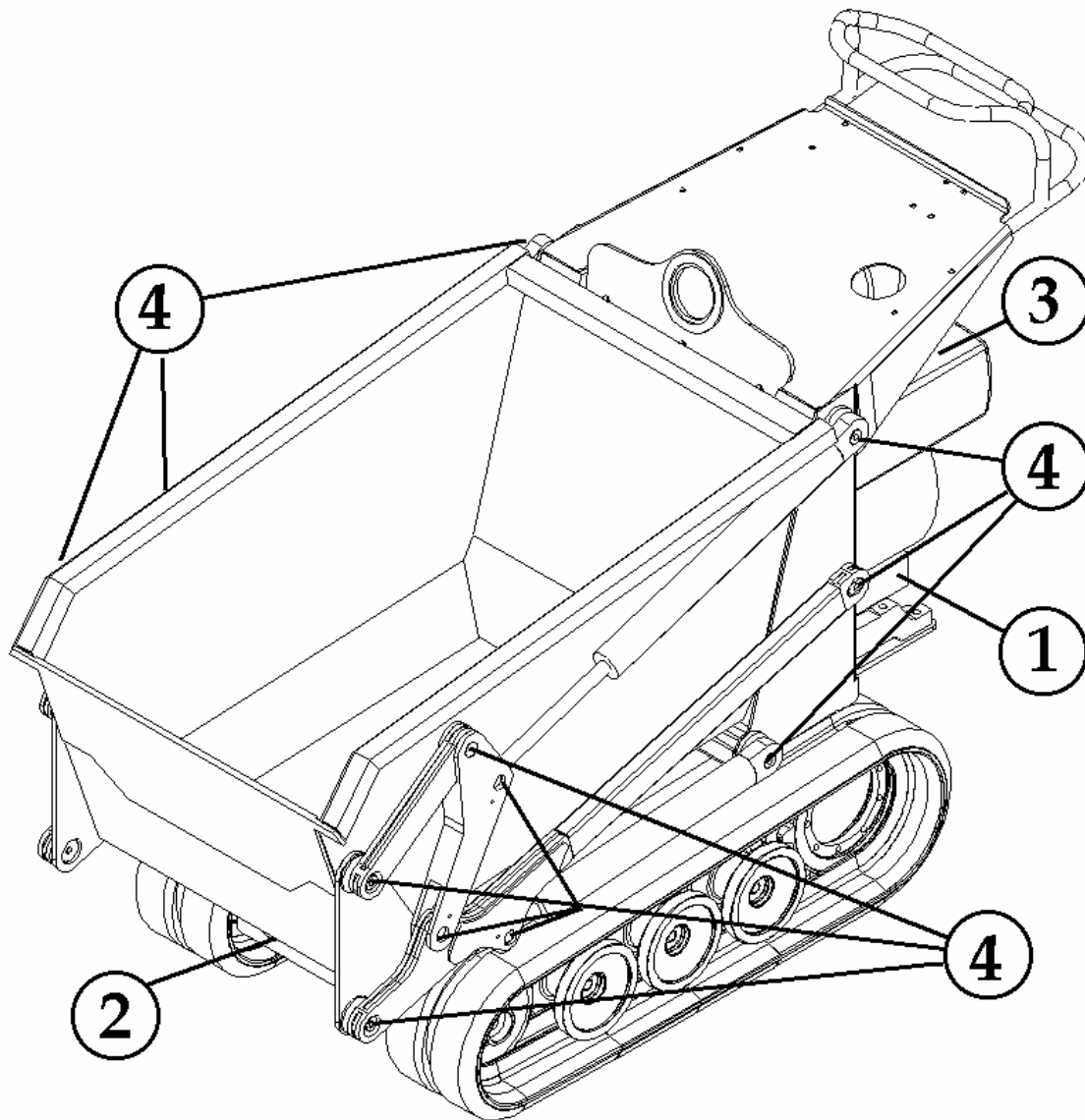


Recommended Lubricants

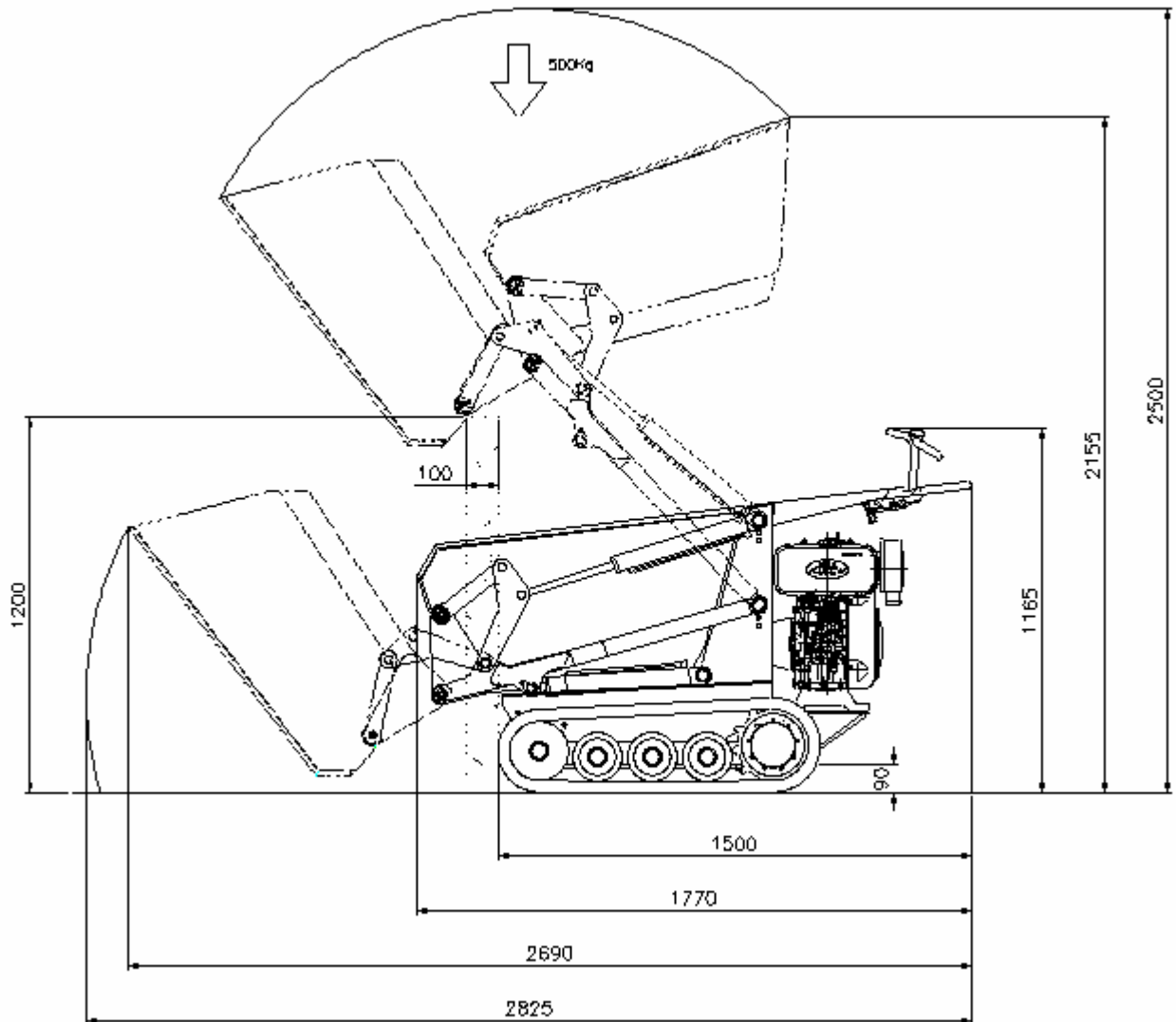
Note: **Do not mix Lubricants**

Item No	Component	Lubricant	Specifications	API Code	SAE Grade
1	Engine Crankcase and Filter	Engine Oil with 1.85% max. Sulphated ash limit		CC/CD	10W-30
2	Hydraulic System	Hydraulic oil	HV 36 or Bio-Degradable Liquimatic BVG 36/Plantosyn 36 HVI	6743-4D	46CS
3	Fuel tank	Diesel Fuel Oil with max. Sulphur 0.5%	A.S.T.M. No.2 Diesel Fuel (at sub zero temp. blend No. 2 with No.1		
4	Grease Nipples	Extreme Pressure Lithium (No 'Moly')	Stern Tube Grease C/W Extreme Pressure Capabilities		No. 2 Consistency

Lubrication Chart (fig 5)



Λubrification Layout (Fig 5)



“Basic Overall Dimensions”

(fig 7)

General Specification

Hi-T 500		Diesel
Maximum Carrying Capacity	Kg (lbs)	500 (1100)
Skip Volume	Lt (ft ³)	255 (9.0)
Unladen Weight	Kg (lbs)	448 (987)
Width	mm (ins)	700 (28 ins)
Height	mm (ins)	1165 (45.8 ins)
Height Over Skip	mm (ins)	2500 (98.4 ins)
Height Under Skip	mm (ins)	1200 (47 ins)
Length	mm (ins)	1770 (69.6 ins)
Max Gradeability	%	45%
Turning Circle	mm (ins)	2000 (78.5)
Track Ground Pressure	Kg/cm ² (psi)	0.351 (4.99)
Engine (All with Electric Start)	kW (HP)	Kubota OC95 7.1 (9.5)
Speed Forward	Kph (Mph)	4 (2.5)
Speed Reverse	Kph (Mph)	2 (1.2)
Power Take Off	20 lt/m @ 120 bar	Optional
Noise Level	Lwa	101

General Specification (fig 8)

Miscellaneous Bolt & Nut Torque Specification

Friction coefficient total 0.14 for screws and nuts without after treatment as well as for phosphate nuts.

Tighten by hand.

If nothing special is indicated select correct torque limits from the following tabulations:

Metric ISO Thread DIN 13								
Size	6.9 Some Engine Bolts		8.8 Standard Hex Bolt		10.9 Some Engine Bolt		12.9 Standard Cap head	
	Nm	(lbfft)	Nm	(lbfft)	Nm	(lbfft)	Nm	(lbfft)
M6	8.5	(6.3)	10	(7.4)	14	(10.3)	17	(12.5)
M8	21	(15.5)	25	(18.4)	35	(25.8)	41	(30.2)
M10	41	(30.2)	49	(36.1)	69	(50.9)	83	(61.2)
M12	72	(53.1)	86	(63.4)	120	(88.5)	145	(106.9)
M14	115	(85)	135	(100)	190	(140)	230	(170)
M16	180	(133)	210	(155)	295	(218)	355	(262)
M18	245	(181)	290	(214)	400	(295)	485	(358)
M20	345	(255)	410	(302)	580	(428)	690	(509)
M22	465	(343)	550	(406)	780	(575)	930	(686)
M24	600	(443)	710	(524)	1000	(738)	1200	(885)
M27	890	(656)	1050	(774)	1500	(1106)	1800	(1328)
M30	1200	(885)	1450	(1070)	2000	(1475)	2400	(1770)

Torque Settings (fig 9)

Every 10 hours of operation (Daily Walk Around Inspection)

- Visually check engine for damage, listen for any unusual noises:
- Engine Air Cleaner, Inspect and remove any obstructions from the air cleaner inlet with the engine stopped:
- Check Engine oil level, add oil if low see lubrication chart, With the engine off, the oil should be just over the last thread at filler: (Note do not over fill)

Fabrications:

- Lubrication (greasing) Periodic lubrications of moving parts reduce to a minimum the possibility of mechanical failures:
- Check for any loose bolts or fixings, tighten as per bolt chart:
- Check for any oil leak's securely tighten any loose joints, replenish any loses:

NOTE:

- **Service air cleaners more often when operating under extremely dusty conditions.**
- **Do not wash the air cleaner element out with detergent replace with new**

After first 50 hours of operating new or rebuilt components

- With the engine off and body inverted, remove red top of filter, pull out filter.
- Check level refill hydraulic tank as per lubrication chart. Check oil level by remove dipstick if low fill through the filter housing until the level is 6mm below the tube in the base of the filter housing:
- Replace the hydraulic oil filter install new element each time do not reuse.
- Engine crankcase, drain oil replace as per lubrication chart check oil level the oil should be just over the last thread at filler: (Note do not over fill)
- Lubrication (greasing) Periodic lubrications of moving parts reduce to a minimum the possibility of mechanical failures:

Every 100 hours or operation (Monthly)

- Engine crankcase drain oil replace as per lubrication chart check oil level the oil should be just over the last thread at filler: (Note do not over fill)
- Lubrication (greasing): -periodic lubrications of moving parts reduce to a minimum the possibility of mechanical failures:
- General inspection check entire unit for leaks loose bolts and nuts or damaged parts. Examine the body, particularly the chassis, for cracks or broken welds. Repair where necessary.

- Engine air intake. Check air intake system for wear or damage to piping, loose clamps and leaks.
- Drain fuel remove filter screen replace the assemble install new filter screen and refill tank. If contaminated fuel is suspected frequency may need to be increased.

Every 300 hours of operation

- Drain fuel and replace fuel filter.
- Lubrication (greasing): -Periodic lubrications of moving parts reduces to a minimum the possibility of mechanical failures.

Every 1,000 hours of operation (6 Months)

- Lubrication (greasing): -Periodic lubrications of moving parts reduces to a minimum the possibility of mechanical failures.
- Replace hydraulic oil filter install new element each time do not reuse.

Every 2,000 hours of operation (Annually)

- Lubrication (greasing):- Periodic lubrications of moving parts reduces to a minimum, the possibility of mechanical failures.
- Hydraulic Oil Tank:-Drain oil, remove and clean filter screen assemblies. Reinstall filter screens and refill tank.
- Hydraulic Oil Filter Clean filter housing and install new element after a year or 2,000 hours of operation whichever comes first.

All information contained in the 'Lubrication and Service Chart' is extracted from the relevant manufactures Operators Manual and was correct at time of publication. User should ensure that information contained in this chart, regarding engines and hydraulics, reflect the information shown in the relevant manufacturers Operators Manuals, supplied with the machine. Maintenance procedures should be carried out in conjunction with any additional procedures contained in the relevant manufacturers 'Operation and Maintenance Manual', at the intervals specified.

Lubrication and Miscellaneous Servicing

Small circles on the illustration represent points at which lubrication or servicing must take place, at the intervals indicated on the left-hand side of the lubrication chart.

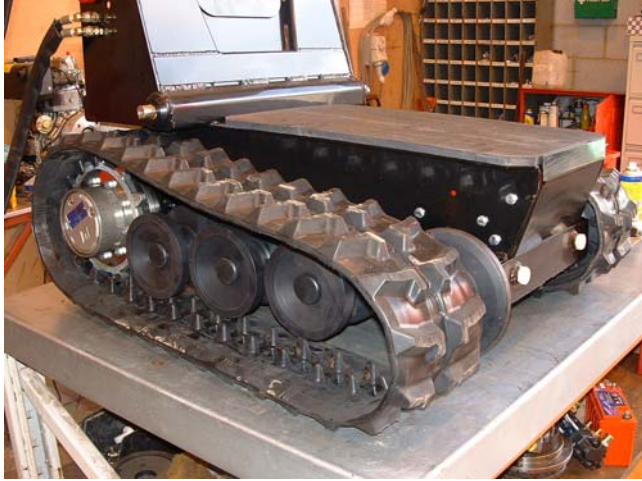
Note 1. The use of low viscosity oils, such as 10W or 10W - 30, can be used to aid in starting the engine and providing sufficient oil flow at ambient temperatures below -5°C (23°F). Continuous use of low viscosity oils can decrease engine life due to wear.

Note 2. Operation below the minimum temperatures listed for the oil used without proper preheats or warm-up results in greatly reduced life. Proper warm-up requires 20 minutes minimum (with engine at part throttle) before operating.

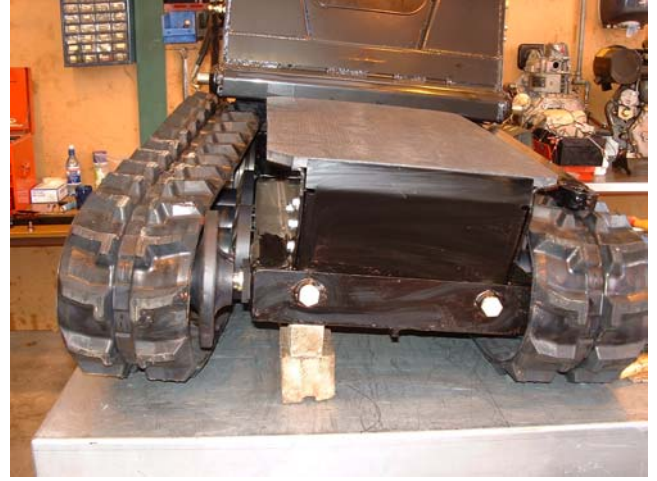
Note 3. Hydraulic Oil meeting specification is the only oil suitable for use in this hydraulic system.

Replacement of Rubber Drive Track

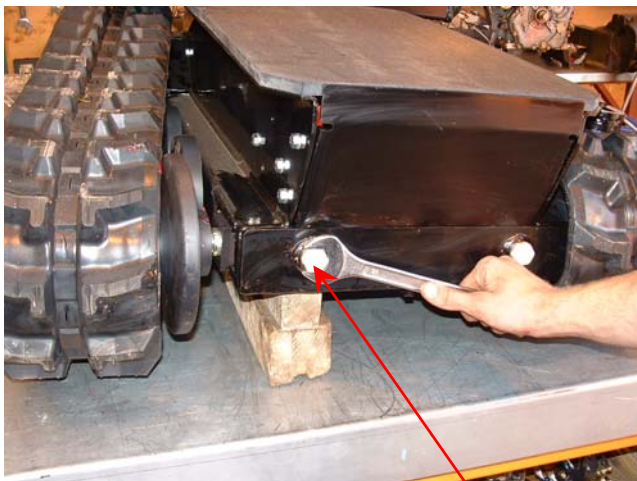
In the event that the drive Track being displaced during operation follow the procedure listed below.



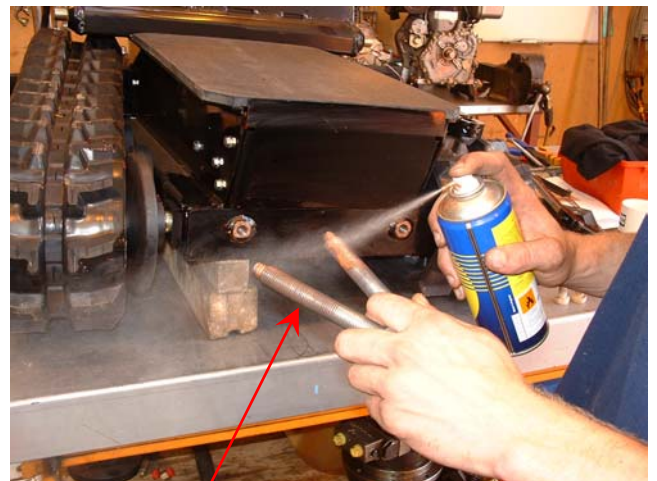
Typical view of displaced track



Support lower chassis along its length



Remove blanking plugs



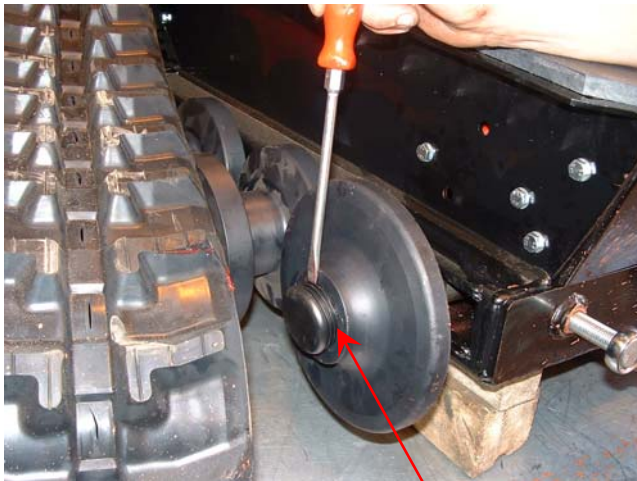
lubricate jacking bolts (supplied)



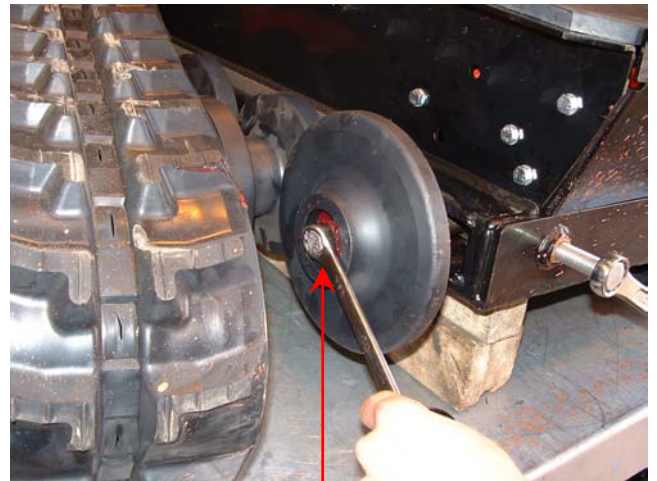
Insert jacking bolts adjust equally



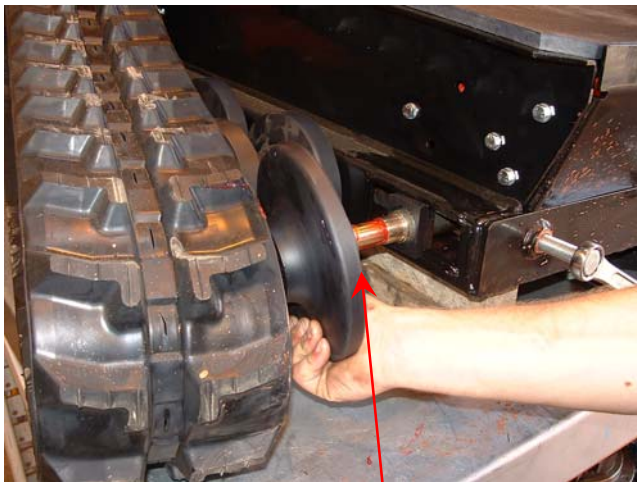
Adjust until idler is in line with roller



Remove blanking plug



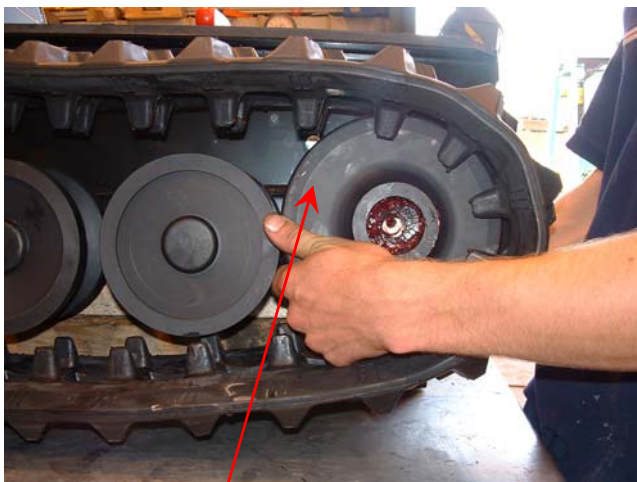
Remove securing bolt



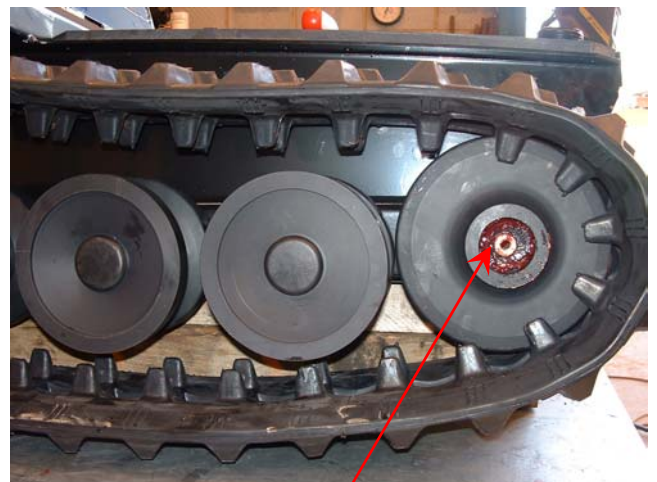
Remove Idler



Place Idler in drive track



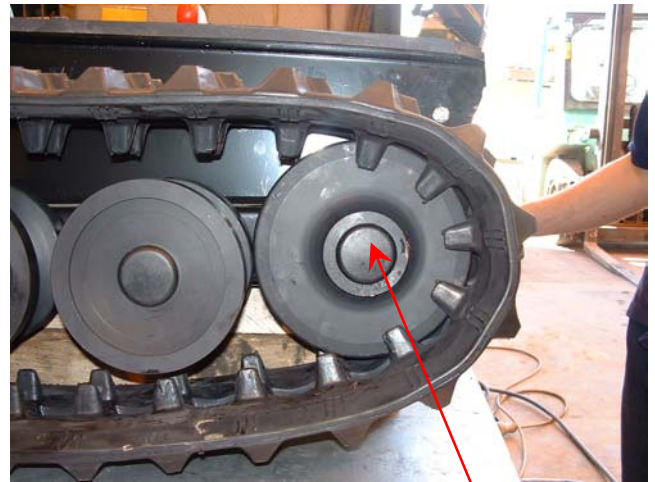
Slide drive track and Idler on shaft



Insure Idler is fully home



Install securing bolt (torque 49Nm)



Replace blanking plug



Remove jacking bolts



Replace blanking plugs



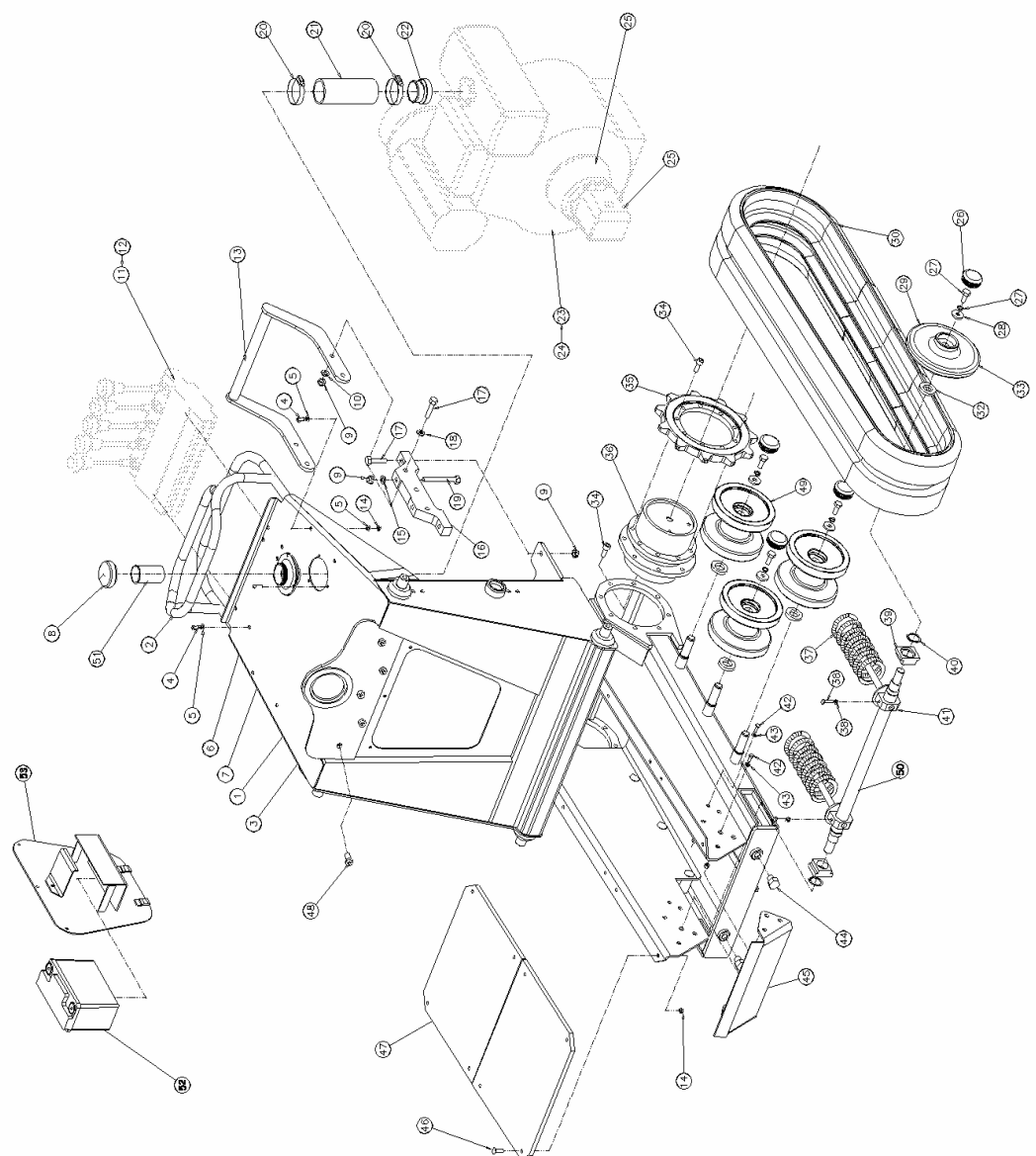
Remove any blocking under chassis run and test.

ITEM NO:	PART NO:	DESCRIPTION:	QTY:
1	63-0001	FILTER ASSY C/W CAP	1
2	63-0002	REPLACEMENT FILTER	1
3	63-0003	DIPSTICK	1
4	63-0004	PRESURISED BREATHER	1
5	01-0001	SET BOLT M10 X 35	1
6	02-0002	M10 FLAT WASHER	2
7	62-0011	1/2" BONDED WASHER	1
8	62-0010	1/2" - 5/8" MALE MALE	1
9	01-0002	SET BOLT M6 X 20	8
10	02-0003	M6 SPRING WASHER	8
11	02-0004	M6 FALT WASHER	8
12	63-0005	SUCTION FILTER	1
13	62-0013	3/4" - 3/4" MALE MALE	2
14	62-0014	3/4" BONDED WASHER	1
15	62-0001	1/4" - 1/4" MALE MALE	2
16	62-0002	1/4" BONDED WASHER	3
17	62-0004	DRAIN PLUG	1
18	50-0001	TANK BARE	1
19	50-0002	COVER PLATE TANK	1
20	PART NO:	DESCRIPTION:	QTY:
21	PART NO:	DESCRIPTION:	QTY:
22	PART NO:	DESCRIPTION:	QTY:
23	PART NO:	DESCRIPTION:	QTY:
24	PART NO:	DESCRIPTION:	QTY:
25	PART NO:	DESCRIPTION:	QTY:

TITLE: M&S TANK PARTS	ISS. A
DWG No. TCF-1388	DATE 04/08/2005
	STK No.

TAYLOR CONSTRUCTION PLANT LTD.
 QUAYSIDE PARK, BYTES ROAD,
 TAYLORVILLE, DURHAM, ENGLAND
 TEL: +441621 807777 FAX: +441621 84330
 WWW.TCF.EU.COM

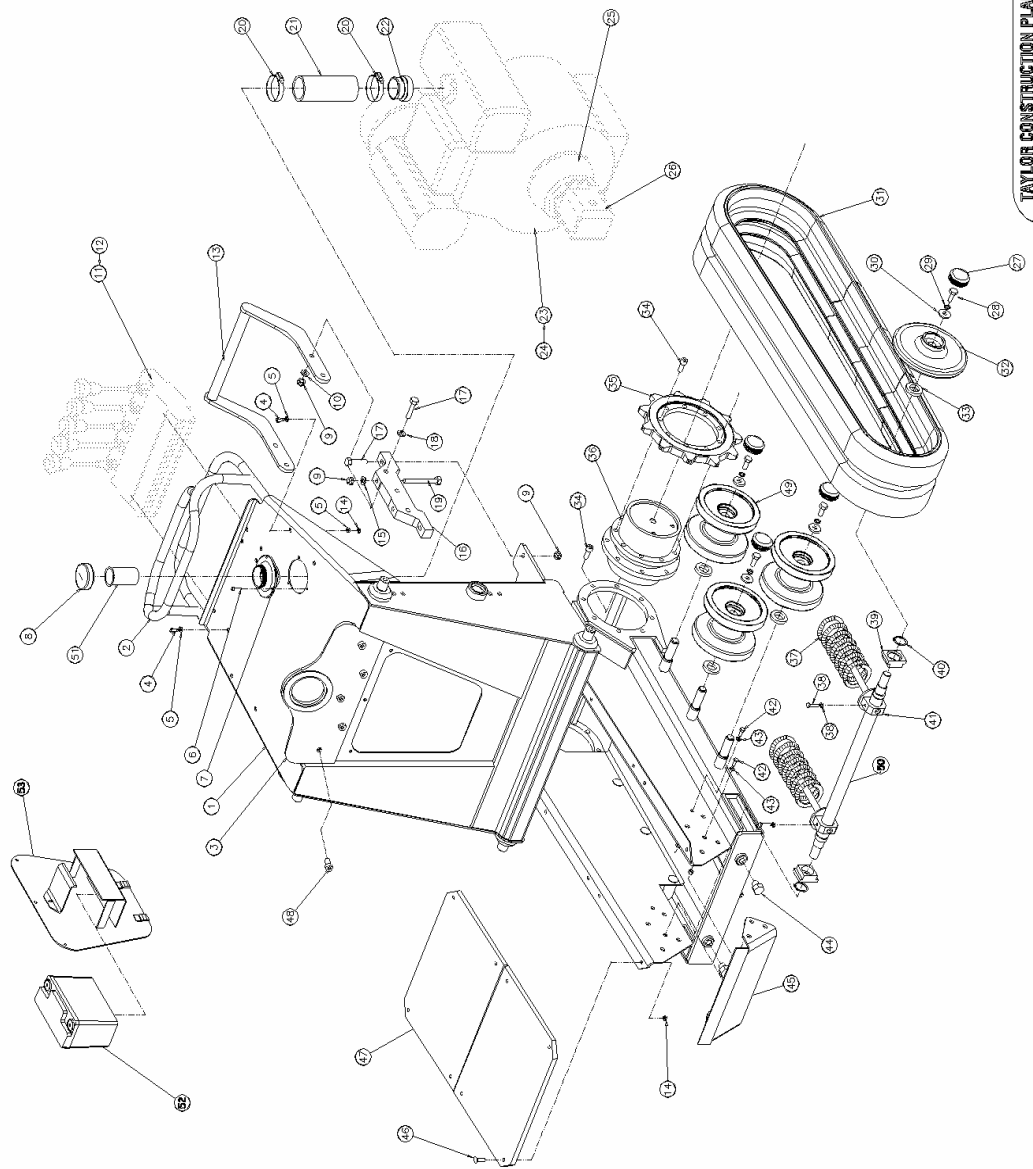
ITEM NO:	PART NO:	DESCRIPTION:	QTY:
1	50-0005	FULL CHASSIS ASSY	1
2	51-0004	GRAB BAR	1
3	51-0005	LIFTING EYE	1
4	01-0005	M8 X 20 SET BOLT	18
5	02-0011	M8 FLAT WASHER	32
6	01-0016	M5 X 20 CAP HEAD	3
7	51-0006	FUEL FILLER	1
8	51-0007	FUEL CAP	1
9	01-0006	M10 NYLOC	12
10	02-0002	M10 FLAT WASHER	8
11	60-0003	VALVE BLOCK LESS P.T.O	1
12	60-0004	VALVE BLOCK WITH P.T.O	1
13	51-0008	RECOIL PROTECTOR	1
14	01-0007	M8 NYLOC	22
15	02-0002	M10 FLAT WASHER	4
16	51-0009	ENGINE MOUNT	2
17	01-0008	M10 X 50 BOLT	4
18	02-0002	M10 FLAT WASHER	4
19	01-0009	M10 X 90 BOLT	4
20	03-0003	HOSE CLIP	2
21	62-0028	FUEL HOSE	1
22	51-0010/20	FUEL NECK (STATE ENGINE)	1
23	12-0001	YANMAR	1
24	12-0002	KUBOTA	1
25	60-0005	PUMP HOUSING	1



TAYLOR CONSTRUCTION PLANT LTD.
QUAYSIDE PARK, BATES ROAD,
LONDON, ENGLAND
TEL: +44(0)180777 FAX: +44(0)180777
WWW.TCP.EU.COM

TITLE: M13 CHASSIS PARTS
1 OF 2
DWG No. TCP-1390
ISS. A
DATE 04/08/2005

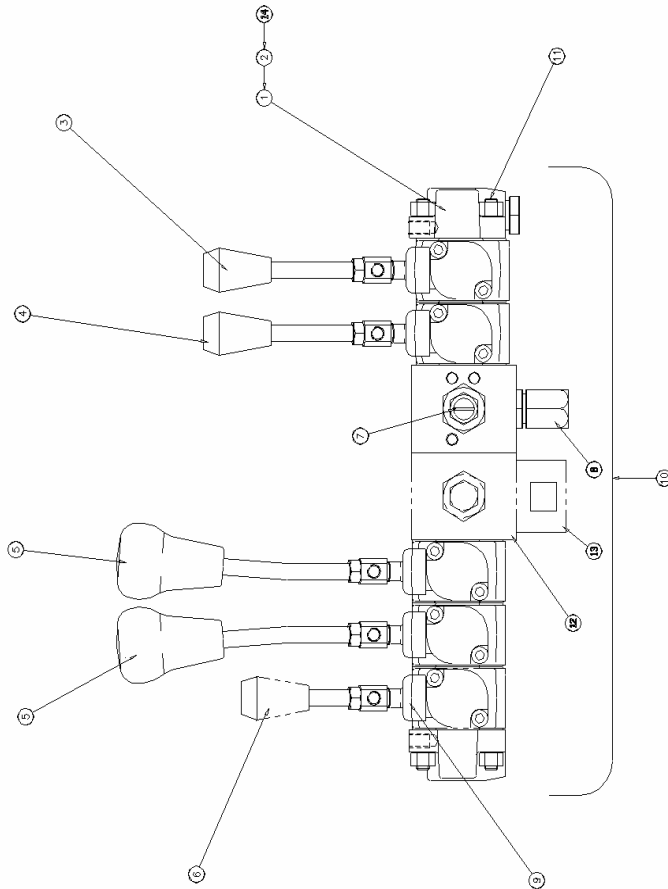
ITEM NO:	PART NO:	DESCRIPTION:	QTY:
26	60-0006	HYDRAULIC PUMP (STATE CC)	1
27	03-0001	END CAP	1
28	01-0010	M10 X 25 BOLT	8
29	02-0008	M10 SPRING WASHER	1
30	02-0007	M10 LARGE FLAT WASHER	2
31	22-0001	RUBBER TRACK	2
32	51-0011	FRONT IDLER	18
33	20-0003	SEAL	10
34	01-0011	SOCKET HEAD SCREW	10
35	20-0004	DRIVE SPROCKET	4
36	60-0019	DRIVE MOTOR	6
37	40-0001	SPRING	6
38	01-0012	M8 X 30 SET BOLT	2
39	51-0012	SLIDE	2
40	02-0010	CIR CLIP DIN 471	2
41	51-0013	GUIDE	2
42	01-0005	M8 X 20 SET BOLT	18
43	02-0011	M8 FLAT WASHER	10
44	03-0002	PLUG	10
45	51-0017	BUMPER	1
46	01-0014	M8 CSK SCREW	6
47	51-0014	COVER PLATE	1
48	01-0015	LOW HEAD BOLT	5
49	51-0015	LOWER ROLLERS	2
50	51-0022	FRONT AXLE	1
51	12-0003	FUEL STRAINER	1
52	71-0001	BATTERY	1
53	51-0023	BATTERY TRAY C/W CLIP	1



TAYLOR CONSTRUCTION PLANT LTD.
QUAYSIDE PARK, BATES ROAD,
WILSON ROAD, HULL, HU8 8JZ
TEL: +44(0)1482 80177 FAX: +44(0)1482 84330
WWW.TCP.EU.COM

TITLE: M13 CHASSIS PARTS
2 OF 2
DWG No. TCP-1391
ISS. A
DATE 04/08/2005

ITEM NO:	PART NO:	DESCRIPTION:	QTY:
1	60-0003	VALVE ASSY LESS PTO	1
2	60-0004	VALVE ASSY WITH PTO	1
3	60-0023	YELLOW CONTROL LEVER	1
4	60-0020	GREEN CONTROL LEVER	1
5	60-0021	BLACK CONTROL LEVER	2
6	60-0022	RED CONTROL LEVER	1
7	60-0011	FLOW DIVIDER CARTRIDGE	1
8	60-0012	RELIEF CARTRIDGE	1
9	60-0013	PIVOT ASSY	5
10	60-0014	SEAL KIT	1
11	60-0024/5	TYE ROD KIT (NO OF SLICES)	1
12	60-0030	TWO SPEED SECTION	1
13	60-0031	SOLENOID TWO SPEED	1
14	60-0032	VALVE ASSY TWO SPEED	1
15			
16			
17			
18			
19			
20			
21			
22			
23			
24			
25			



TAYLOR CONSTRUCTION PLANT LTD.
QUAYSIDE FARM, BATES ROAD,
WILSON, BRISTOL, AVON, GL7 4EJ
TEL: +44(0)1273 801777 FAX: +44(0)1273 84330
WWW.TCP.EU.COM

TITLE: MK3 VALVE BLOCK

ISS. A

DATE

04/08/2005

STK No.

TCP-1392

DWG No.

ITEM NO:	PART NO:	DESCRIPTION:	QTY:
1	10-0005	AIR CLEANER ELEMENT	1
2	10-0006	FUEL FILTER ASSY	1
3	10-0007	REUSABLE OIL FILTER	1
4	63-0002	HYDRAULIC OIL FILTER	1
5	12-0005	STOP SOLENOID COIL	1
6			
7			
8			
9			
10			
11			
12			
13			
14			
15			
16			
17			
18			
19			
20			
21			
22			
23			
24			
25			

The diagram shows an exploded view of a Kubota engine. Callout 1 points to the air cleaner element at the top. Callout 2 points to the fuel filter assembly on the left side. Callout 3 points to the reusable oil filter at the bottom. Callout 4 points to the hydraulic oil filter on the right side. Callout 5 points to the stop solenoid coil at the top right.

TAYLOR CONSTRUCTION PLANT LTD.
QUAYSIDE FARM, BATES ROAD,
WILSON, WILSON, WILSON, WILSON
TB-44621 800777 FAX-44621 84330
WWW.TCP.EU.COM

TITLE: MK3 KUBOTA SERVICE KIT
DWG No. TCP-1393
STK No.

ISS. A
DATE
04/08/2005

ITEM NO:	PART NO:	DESCRIPTION:	QTY:
1	80-0001	SERIAL DATA PLATE	1
2	80-0002	CONTROL PANEL DECAL	1
3	80-0003	WARNING CRUSH ZONE	6
4	80-0004	WARNING HOT EXHAUST	2
5	80-0005	HYDRAULIC OIL FILLER	1
6	80-0006	FUEL FILLER	1
7	80-0007	CE MARKING	2
8	80-0008	HOISTING POINT	1
9	80-0009	DANGER KEEP CLEAR	2
10	80-0010	LOGO BODY "H T 500" LEFT/RIGHT 2	2
11	80-0011	P T O (OPTIONAL)	1
12	80-0012	OIL FILTER AND DIPSTICK	1
13	80-0013	LARGE WARNING BODY	1
14	80-0014	OPERATION SAFETY MAINTENANCE 1	1
15	80-0015	HI-LOW DECAL	1
16			
17			
18			
19			
20			
21			
22			
23			
24			
25			

The diagram shows an exploded view of the rear of a machine, likely a backhoe loader. Numbered callouts (1-14) identify various components and decals. Callout 14 points to a separate square decal. The components include a control panel (1), fuel filler (6), hydraulic oil filler (5), and various warning and identification decals (2, 3, 4, 7, 8, 9, 10, 11, 12, 13, 14).

TAYLOR CONSTRUCTION PLANT LTD.
QUAYSIDE FARM, BATES ROAD,
WILMINGTON, WILTSHIRE, WILTS, BA14 0JF
TEL: +44(0)1292 801777 FAX: +44(0)1292 84330
WWW.TCP.EU.COM

TITLE: MK3 DECALS
DWG No. TCP-1394
ISS. A
DATE 04/08/2005

ITEM NO:	PART NO:	DESCRIPTION:	QTY:
1	02-0005	GREASE NIPPLE	18
2	50-0003	CYLINDER PIN UPPER (LONG)	4
3	02-0004	M6 FLAT WASHER	6
4	01-0004	M6 X 16 SET BOLT	2
5	20-0001	PIVOT BUSH	14
6	01-0003	SOCKET HEAD SCREW	10
7	02-0006	CLAMP WASHER	10
8	50-0004	CYLINDER PIN LOWER (SHORT)	2
9	20-0002	CROSS SHAFT BUSH	2
10			
11			
12			
13			
14			
15			
16			
17			
18			
19			
20			
21			
22			
23			
24			
25			

TAYLOR CONSTRUCTION PLANT LTD.
 QUAYSIDE PARK, BATES ROAD,
 TILBURN, BUCKINGHAMSHIRE, MK15 0JF
 TEL: +44(0)1492 801777 FAX: +44(0)1492 84330
 WWW.TCP.EU.COM

TITLE: MK3 SERVICE PARTS
 DWG No. TCP-1395
 ISS. A
 DATE 04/08/2005

ITEM NO:	PART NO:	DESCRIPTION:	QTY:
1	51-0015	LOWER IDLER	6
2	20-0003	SEAL	8
3	02-0007	LARGE WASHER	8
4	02-0008	SPRING WASHER	8
5	01-0010	M10 X 25 HT BOLT	8
6	03-0001	END CAP	8
7	51-0011	FRONT IDLER	2
8	51-0012	AXLE SLIDE	2
9	02-0010	CTR-CLIP DIN 471	2
10			
11			
12			
13			
14			
15			
16			
17			
18			
19			
20			
21			
22			
23			
24			
25			

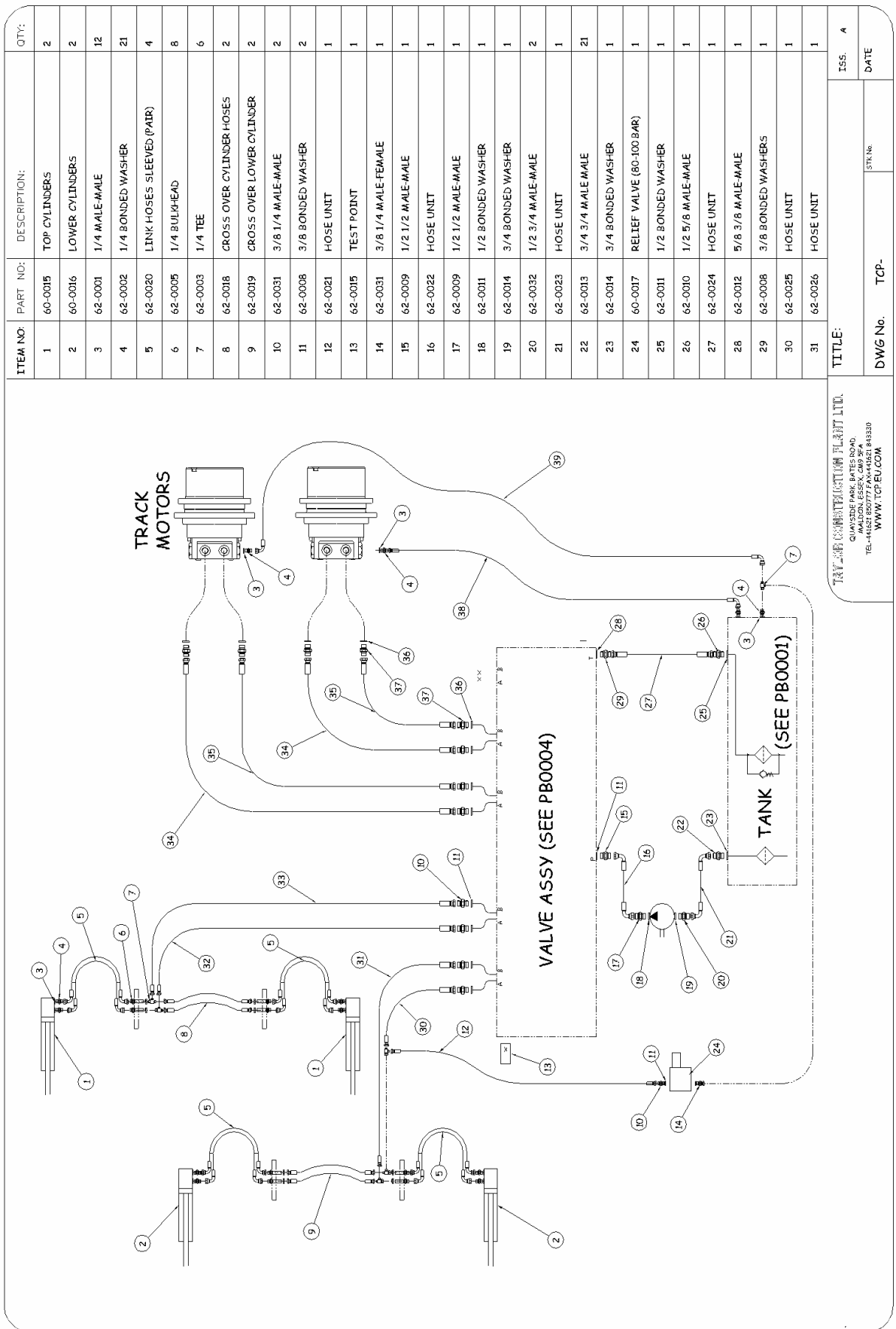
TAYLOR CONSTRUCTION PLANT LTD.
 QUAYSIDE PARK, BATES ROAD,
 WILSONS CROSS, BRISTOL, AVON, GL7 4EJ
 TEL: +44(0)1274 801777 FAX: +44(0)1274 84330
 WWW.TCP.EU.COM

TITLE: MK3 SERVICE PARTS TRACKS

DWG No. TCP-1396

ISS. A

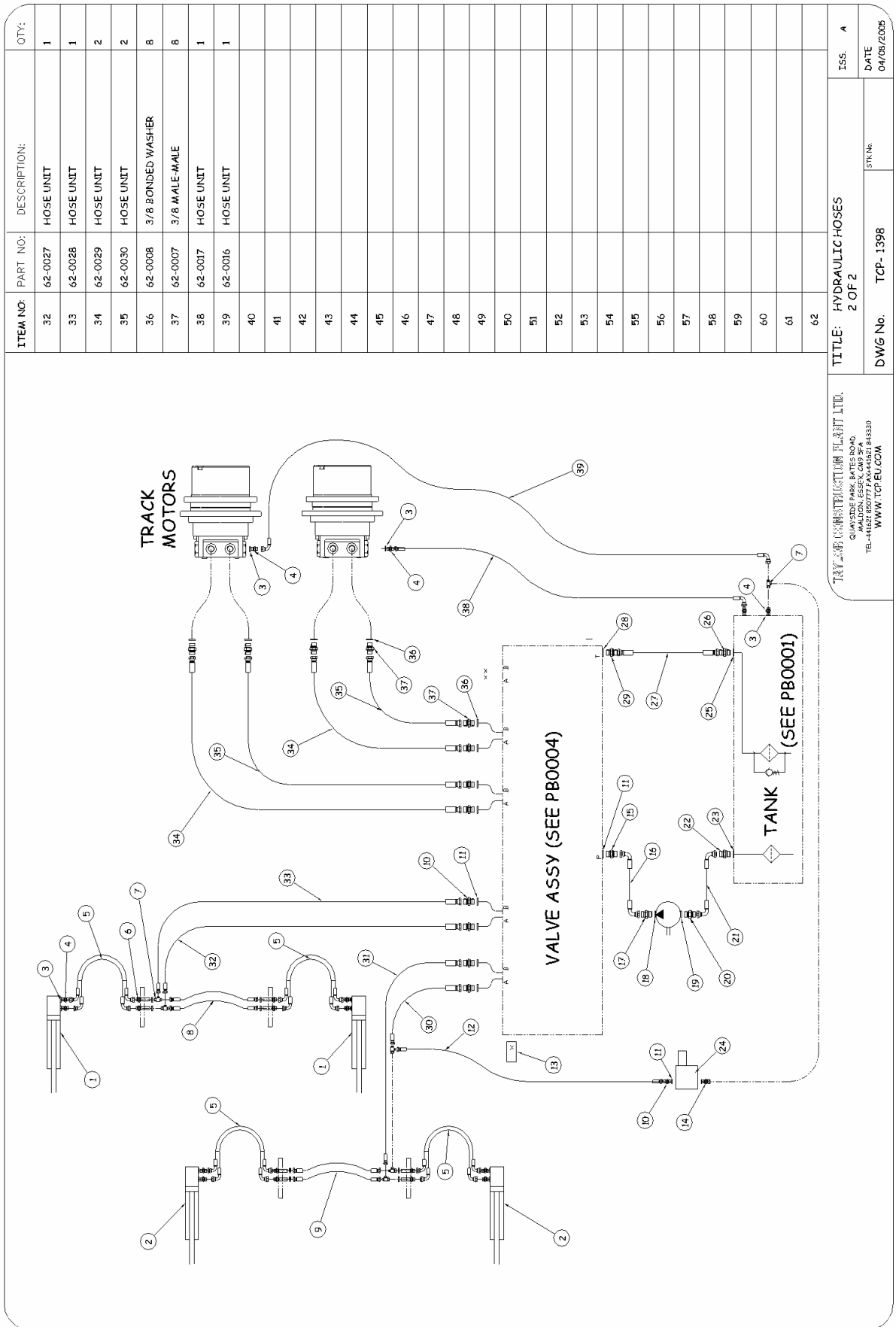
DATE 04/08/2005



ITEM NO:	PART NO:	DESCRIPTION:	QTY:
1	60-0015	TOP CYLINDERS	2
2	60-0016	LOWER CYLINDERS	2
3	62-0001	1/4 MALE-MALE	12
4	62-0002	1/4 BONDED WASHER	21
5	62-0020	LINK HOSES SLEEVED (PAIR)	4
6	62-0005	1/4 BULK-HEAD	8
7	62-0003	1/4 TEE	6
8	62-0018	CROSS OVER CYLINDER-HOSES	2
9	62-0019	CROSS OVER LOWER CYLINDER	2
10	62-0031	3/8 1/4 MALE-MALE	2
11	62-0008	3/8 BONDED WASHER	2
12	62-0021	HOSE UNIT	1
13	62-0015	TEST POINT	1
14	62-0031	3/8 1/4 MALE-FEMALE	1
15	62-0009	1/2 1/2 MALE-MALE	1
16	62-0022	HOSE UNIT	1
17	62-0009	1/2 1/2 MALE-MALE	1
18	62-0011	1/2 BONDED WASHER	1
19	62-0014	3/4 BONDED WASHER	1
20	62-0032	1/2 3/4 MALE-MALE	2
21	62-0023	HOSE UNIT	1
22	62-0013	3/4 3/4 MALE MALE	21
23	62-0014	3/4 BONDED WASHER	1
24	60-0017	RELIEF VALVE (80-100 BAR)	1
25	62-0011	1/2 BONDED WASHER	1
26	62-0010	1/2 5/8 MALE-MALE	1
27	62-0024	HOSE UNIT	1
28	62-0012	5/8 3/8 MALE-MALE	1
29	62-0008	3/8 BONDED WASHERS	1
30	62-0025	HOSE UNIT	1
31	62-0026	HOSE UNIT	1

TITLE:	ISS. A	DATE
DWG No. TCP-	STK.No.	

TCP GROUP COMPANY TECHNOLOGY PLANT LTD.
QUAYSIDE PARK, BATES ROAD,
LONDON, E16 2YU, U.K.
TEL:+44(0)20 7777 7777 FAX:+44(0)20 7777 7777
WWW.TCP.EU.COM



ITEM NO:	PART NO:	DESCRIPTION:	QTY:
32	62-0027	HOSE UNIT	1
33	62-0028	HOSE UNIT	1
34	62-0029	HOSE UNIT	2
35	62-0030	HOSE UNIT	2
36	62-0008	3/8 BONDED WASHER	8
37	62-0007	3/8 MALE-MALE	8
38	62-0017	HOSE UNIT	1
39	62-0016	HOSE UNIT	1
40			
41			
42			
43			
44			
45			
46			
47			
48			
49			
50			
51			
52			
53			
54			
55			
56			
57			
58			
59			
60			
61			
62			

TITLE: HYDRAULIC HOSES
2 OF 2

DWG No. TCP- 1398

IS5. A

DATE 04/08/2005

STK.No.

TRACKING SYSTEMS TECHNOLOGY PLANT LTD.
QUAYSIDE PARK, BATES ROAD,
WILMINGTON, WYOMING 84095
TEL:+1432 850777 FAX:+1432 843310
WWW.TCP.EU.COM

ITEM NO:	PART NO:	DESCRIPTION:	QTY:
1	90-0002	OIL FILTER SPANNER	1
2	90-0001	M16 JACKING BOLTS	QTY:
3	90-0003	SEAL INSERTING TOOL	QTY:
4			
5			
6			
7			
8			
9			
10			
11			
12			
13			
14			
15			
16			
17			
18			
19			
20			
21			
22			
23			
24			
25			

TAYLOR CONSTRUCTION PLANT LTD.
 QUAY STREET, WALSLEY, S61 3JQ,
 HALLOW LESSEY, WALSLEY, S61 3JQ
 TEL: 01452 80777 FAX: 01452 84330
 WWW.TCP.LCOM

TITLE: MK3 SERVICE TOOLS

ISS. A

DATE

04/08/2005

STK No.

DWG No. TCP- 1399

NOTES: