



Pro Trowel

**600 Pro Walk
Behind.**

Petrol or Electric driven.

GB Owners Manual



**140.2.001 Rev 5
12/04**



Belle Group Head Office

Sheen, Nr.Buxton

Derbyshire

SK17 0EU, GB

+44(0)1298 84606

+44(0)1298 84621

sales@belle-group.co.uk

http://www.bellegroup.com

Pro 600 Trowel Operators Manual

This manual has been written to help you operate and service the Pro Trowel safely. This manual is intended for dealers and operators of the Pro Trowel.

Foreword

The '**Environment**' section gives instructions on how to handle the recycling of discarded apparatus in an environmentally friendly way.

The '**Machine Description**' section helps you to familiarize yourself with the machine's layout and controls.

The '**General Safety**' and '**Health and Safety**' sections explain how to use the machine to ensure your safety and the safety of the general public.

The '**Start and Stop Procedure**' helps you with starting and stopping the machine.

The '**Trouble Shooting**' guide helps you if you have a problem with your machine.

The '**Servicing**' section is to help you with the general maintenance and servicing of your machine.

The '**Parts Diagrams and Listing**' section shows you the detailed components of your machine and the relevant part numbers if the need arises to replace any parts.

The '**Warranty**' Section details the nature of the warranty cover and the claims procedure.

The '**Declaration of Conformity**' section shows the standards that the machine has been built to.

Directives with regard to the notations.

Text in this manual to which special attention must be paid are shown in the following way:



CAUTION

The product can be at risk. The machine or yourself can be damaged or injured if procedures are not carried out in the correct way.



WARNING

The life of the operator can be at risk.



Warranty

Your new Belle Group 'Pro 600' Trowel is warranted to the original purchaser for a period of one-year (12 months) from the original date of purchase. The Belle Group warranty is against defects in design, materials and workmanship.

The following are not covered under the Belle Group warranty:

1. Damage caused by abuse, misuse, dropping or other similar damage caused by or as a result of failure to follow assembly, operation or user maintenance instructions.
2. Alterations, additions or repairs carried out by persons other than Belle Group or their recognised agents.
3. Transportation or shipment costs to and from Belle Group or their recognised agents, for repair or assessment against a warranty claim, on any machine.
4. Materials and/or labour costs to renew, repair or replace components due to fair wear and tear.

The following components are not covered by warranty.

- Drivebelt/s
- Engine air filter
- Engine spark plug

Belle Group and/or their recognised agents, directors, employees or insurers will not be held liable for consequential or other damages, losses or expenses in connection with or by reason of or the inability to use the machine for any purpose.

Warranty Claims

All warranty claims should firstly be directed to Belle Group, either by telephone, by Fax, by Email, or in writing.

For warranty claims:

Tel: +44 (0)1538 380000 Fax: +44 (0)1538 380038

Email : Warranty@belle-group.co.uk

Write to:

Belle Group Warranty Department,
Unit 5, Bode Business Park,
Ball Haye Green,
Leek,
Staffordshire ST13 6BW
England.

Warning



Before you operate or carry out any maintenance on this machine **YOU MUST READ** and **STUDY** this manual.

KNOW how to safely use the unit's controls and what you must do for safe maintenance.

(NB Be sure that you know how to switch the machine off before you switch on, in case you get into difficulty.)

ALWAYS wear or use the proper safety items required for your personal protection.

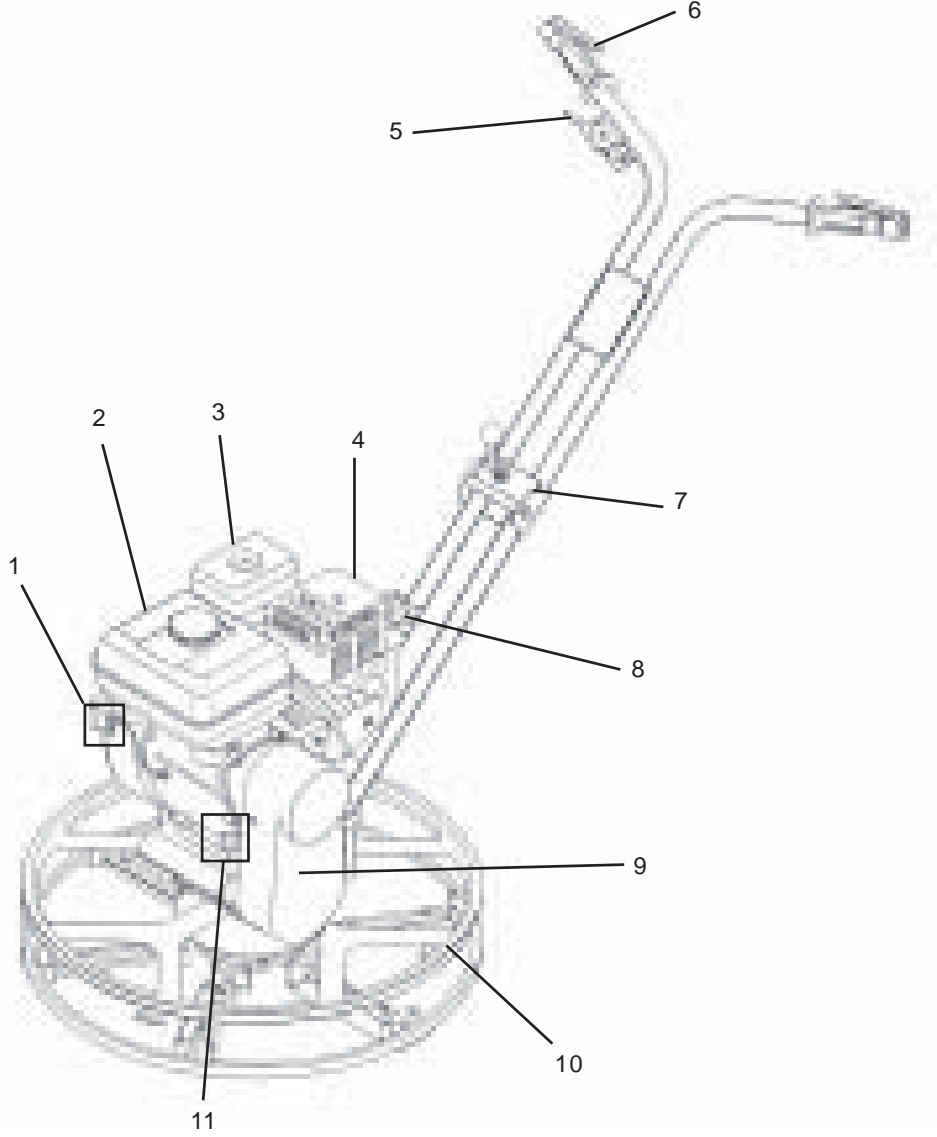
If you have **ANY QUESTIONS** about the safe use or maintenance of this unit, **ASK YOUR SUPERVISOR OR CONTACT THE BELLE GROUP.**

Contents



How to use this manual	2
Warning	3
Machine Description	4 - 5
Environment	5
Technical Data	6
General Safety	7
Health and Safety	8
Pre-Start Safety Checks	8
Start & Stop Procedure	9
Operating the Pro Trowel	10 - 11
Changing Blades	11
Liability	11
Trouble Shooting Guide	12
Servicing	13
Parts Diagrams and Listings	14 - 24
Warranty	25
Declaration of Conformity	26
Notes	27

Belle Group reserves the right to change machine specification without prior notice or obligation.



EC DECLARATION OF CONFORMITY / DECLARATION CE DE CONFORMITE / DECLARACION DE CONFORMIDAD CE / DECLARAÇÃO CE DE CONFORMIDADE / EG-VERKLARING VAN OVEREENSTEMMING



We, **Belle Group Sheen UK, Sheen, Nr. Buxton, Derbyshire, SK17 0EU, GB**, hereby certify that if the product described within this certificate is bought from an authorised Belle Group dealer within the EEC, it conforms to the following EEC directives: 98/37/EC (This directive is a consolidation of the original machinery directive 89/392/EEC), Electromagnetic Compatibility Directive 89/336/EEC (as amended by 92/31/EEC & 93/68 EEC), The low voltage directive 73/23/EEC, EN 292 Safety of machinery and associated harmonised standards, where applicable, Noise emissions conform to directive 2000/14/EC Annex VI, the notified body being **AV Technology Limited, AVTECH house, Birdhall Lane, Cheadle Heath, Stockport, Cheshire, SK3 0XU, GB**.



Nous soussignés, **Belle Group Sheen UK, Sheen, Nr. Buxton, Derbyshire, SK17 0EU, GB**, certifions que si le produit décrit dans ce certificat est acheté chez un distributeur autorisé Belle Group au sein de la CEE, il est conforme aux normes CEE ci-après: 98/37/CE (Cette norme est une codification des termes de la machine d'origine 89/392/CEE), Norme compatible pour l'électromagnétisme 89/336/CEE (modifiée par 92/31/CEE et 93/68/CEE), Caractéristiques basses tension 73/23/CEE, EN 292, Norme de sécurité des machines et des critères associés et configurés, si applicable, Niveau sonore conforme à la norme 2000/14/CE Annexe VI, l'état avisé étant **AV Technology Limited, AVTECH house, Birdhall Lane, Cheadle Heath, Stockport, Cheshire, SK3 0XU, GB**.



La Sociedad, **Belle Group Sheen UK, Sheen, Nr. Buxton, Derbyshire, SK 17 0EU, GB**, por el presente documento certifica que si el producto descrito en este certificado es comprado a un distribuidor autorizado de Belle Group en la CEE, este es conforme a las siguientes directivas: 98/37/CE de la CEE (Esta directiva consolida la directiva inicial sobre maquinaria 89/392/CEE), Directiva 89/336 CEE sobre Compatibilidad Electromagnética (según enmiendas 92/31/CEE y 93/68 CEE), Directiva sobre Bajo Voltaje 73/23/CEE, EN 292 de Seguridad de Maquinaria y Niveles armonizados estándares asociados donde sean aplicables, Emisiones Acústicas conformes a la Directiva 2000/14/EC Apéndice VI, siendo notificado el organismo AV Technology Limited, AVTECH House, Birdhall Lane, Cheadle Heath, Stockport, Cheshire, SK3 0XU, GB.



O signatário, **Belle Group Sheen UK, Sheen, Nr Buxton, Derbyshire, SK 0EU, GB**, pelo presente, declara, que se o produto descrito neste certificado foi adquirido a um distribuidor autorizado do Belle Group em qualquer país da UE, está em conformidade com o estabelecido nas seguintes directivas comunitárias: 98/37/EC (esta directiva é uma consolidação da directiva de maquinaria original 89/392/EEC), Directiva de Compatibilidade Electromagnética 89/336/EEC (conforme corrigido pelas 92/31/EEC & 93/68 EEC), A directiva de baixa voltagem 73/23/EEC, EN 292, Segurança da maquinaria e as normas harmonizadas alms se aplicáveis. As emissões acústicas estão em conformidade com a directiva 2000/14/EC Anexo VI, sendo o organismo notificador a **AV Technology Limited, AVTECH house, Birdhall Lane, Cheadle Heath, Stockport, Cheshire, SK3 0XU, GB**.



Ondergetekende, **Belle Group Sheen UK, Sheen, Nr. Buxton, Derbyshire, SK17 0EU, GB**, verklaart hierbij dat als het product zoals beschreven in dit certificaat is gekocht van een erkende Belle Group dealer binnen de EEG, het voldet aan de volgende EEG richtlijnen: 98/37/EC (Deze richtlijn is een opvolger van de oorspronkelijke Machineryrichtlijn 89/392/EEC), Electromagnetische Compatibiliteit Richtlijn 89/336/EEG (gewijzigd door 92/31/EEG & 93/68 EEG), De Laarspannings Richtlijn 73/23/EEG, EN 292, Veiligheid van Machines en hieraan gekoppelde geluidsemissiesnormen, Standarden, waar deze van toepassing is, Geluidsemissies volgens richtlijn 2000/14/EC Bijlage VI, Het contactorgaan is **AV Technology Limited, AVTECH house, Birdhall Lane, Cheadle Heath, Stockport, Cheshire, SK3 0XU, GB**.

PRODUCT TYPE	TYPE DE PRODUIT	TIPO DE PRODUCTO	TIPO DE PRODUTO	TIPO DE PRODUCTO	PRODUCTTYPE
MODEL	MODELO	MODELO	MODELO	MODELO	MODEL
SERIAL No	N° DE SERIE	N° DE SERIE	NO. DE SERIE	SERIENUMMER	SERIENUMMER
DATE OF MANUFACTURE	DATE OF FABRICATION	FECHA DE FABRICACION	DATA DE FABRIC	FABRICAGEDATUM	FABRICAGEDATUM
SOUND POWER LEVEL MEASURED (GUARANTEED)	NIVEAU DE PUISSANCE SONORE MESUREE (GARANTIE)	NIVEL DE POTENCIA ACÚSTICA MEDIDO (GARANTIZADO)	NIVEL DE POTENCIA DE SOM MEDIDO (GARANTIDO)	GEMETEN (GEGARANDEERD)	GELUIDSTERKTE NIVEAU (GEGARANDEERD)

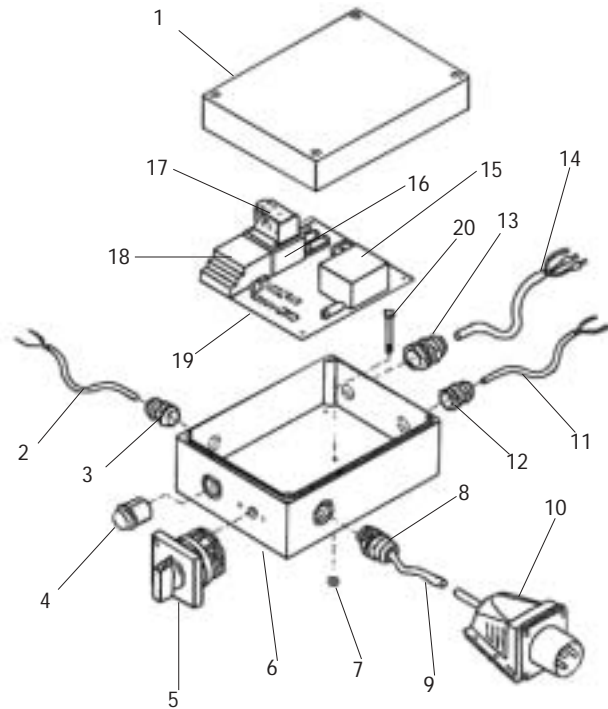
Signed by:
Signature:
Medido por:
Assinado por:
Getekend door:

Ray Neilson

Managing Director - On behalf of BELLE GROUP (SHEEN) UK.
Le Directeur Général - Pour le compte de la SOCIÉTÉ BELLE GROUP (SHEEN) UK.
Director Gerente - En nombre de BELLE GROUP (SHEEN) UK.
Director-Geral - Em nome de BELLE GROUP (SHEEN) UK.
Algemeen Directeur - Namens BELLE GROUP (SHEEN) UK.



852/10004/2



No	Part No.	Description	Qty
1	140.60.894	Lid	1
2	140.60.952	Deadmans wiring harness	1
3	140.60.836	Gland	1
4	140.60.896	Stop button	1
5	140.60.898	Start switch	1
6	140.60.895	Base	1
8	140.60.893	Gland	1
9	140.60.951	Plug wiring harness	1
10	140.60.923	Plug	1
11	140.60.906	Wiring harness	1
12	140.60.836	Gland	1
13	140.60.893	Gland	1
14	140.60.950	Motor wiring harness	1
15	140.60.902	Electrical component 1	1
16	140.60.901	Electrical component 2	1
17	140.60.993	Electrical component 3	1
18	140.60.900	Electrical component 4	1
19	140.60.903	Circuit board	1
20	140.60.931	Bolt	4

1. Engine ON / OFF Switch.
2. Fuel Tank.
3. Air Filter Housing.
4. Exhaust
5. Throttle Lever.
6. Cutout Switch.
7. Handle Locking Lever.
8. Tilt Adjustment Knob.
9. Belt Guard.
10. Guard Ring
11. Engine Oil Filler / Dipstick.

NB. This picture is of a 600 Pro Trowel fitted with a Honda Engine.

Environment

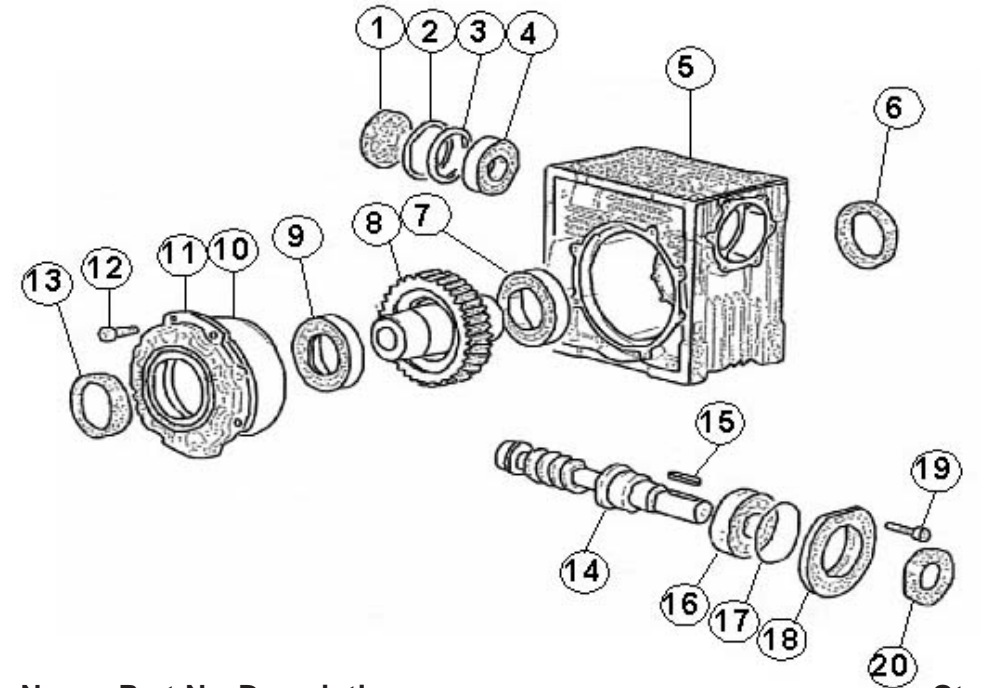
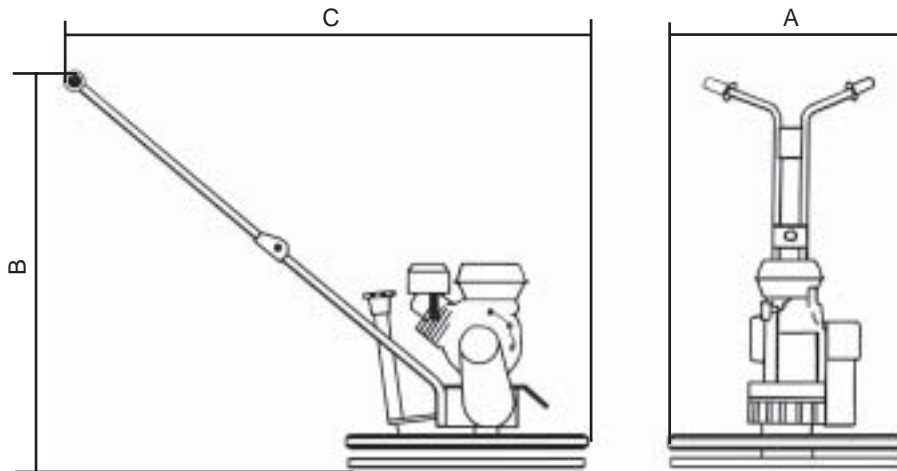
Safe Disposal.

Instructions for the protection of the environment.

The machine contains valuable materials. Take the discarded apparatus and accessories to the relevant recycling facilities.

Component	Material.
Handle	Steel
Belt Guard	ABS
Bedplate	Steel
Hand Grips	Rubber
Engine	Aluminium and Steel
Motor	Steel and Copper
Gearbox	Aluminium, Steel and Phosphor Bronze
Various Parts	Steel and Aluminium

Model	Petrol	Electric
Machine Width mm	600	600
Machine Height mm	930	930
Machine Length mm	1500	1500
Machine Weight Kg	53	73
Trowelling Area m ²	0.6	0.6
Trowelling Speed rpm	50 - 115	130
3 Axis Vibration m/sec ²	6.8	TBA
Usage Time mins	81	TBA



No	Part No	Description	Qty
1	140.60.1000	Screw Plug	1
2	140.60.1001	Retaining Ring	1
3	140.60.1002	Seal Ring	1
4	140.60.1003	Bearing	1
5	140.60.1010	Gearbox Casing (NVR 63)	1
6	140.60.999	Oil Seal	1
7	140.60.1008	Bearing	1
8	140.60.1009	Bronze Wheel (NVR 63)	1
9	140.60.1008	Bearing	1
10	140.60.1004	Casing Cover O Ring	1
11	140.60.1006	Casing Cover (NVR 63)	1
12	07.0.007	Socket Head Capscrew M8 x 16	8
13	140.60.999	Oil Seal	1
14	140.60.735	Worm Gear (NVR 63)	1
15	140.60.711	Key 6 x 6 x 30	1
16	140.60.262	Bearing	1
17	140.60.1007	O Ring	1
18	140.60.1011	Side Cover (NVR 63)	1
19	07.0.007	Socket Head Capscrew M8 x 16	6
20	140.60.999	Oil Seal	1

No	Part No	Description	Qty
1	29.1.149	Engine - Honda GX120	1
2	8/8001	Nut M8	4
3	4/8003	Spring Washer M8	4
4	4/8006	Flat Washer M8	4
5	04.0.018	Stud	4
6	06.3.001	Key 6 x 6 x 33	1
7	03.0.024	Grubscrew M6 x 16	1
8	140.60.693	Bottom Pulley	1
9	11.4.090	Belt	1
10	4/6001	Flat Washer M6	2
11	4/6005	Spring Washer M6	2
12	02.0.011	Setscrew M6 x 12	2
13	140.60.691	Belt Guard	1
14	02.3.020	Setscrew 5/16" x 1" UNF	1
15	4/8003	Washer M8	1
16	05.3.062	Flat Washer M8	1
17	140.90.694	Clutch	1
18	06.8.001	Key	1
19	07.0.126	Countersunk Screw M8 x 12	2
20	140.60.708	Belt Guard Support	1
21	140.60.722	Retaining Ring	1
22	140.60.721	Clutch Body	1
23	140.60.752	Bearing	2
24	140.60.719	Clutch Spring	3
25	140.60.718	Weight	3
26	140.60.728	Drive Body	1

For your own personal protection and for the safety of those around you, please read and ensure you fully understand the following safety information.

It is the responsibility of the operator to ensure that he/she fully understands how to operate this equipment safely.

If you are unsure about the safe and correct use of the Pro 600, consult your supervisor or Belle Group.



WARNING

Improper maintenance can be hazardous. Read and Understand this section before you perform any maintenance, service or repairs.

- This equipment is heavy and must not be lifted single-handedly, either **GET HELP** or use suitable lifting equipment.
- Cordon off the work area and keep members of the public and unauthorized personnel at a safe distance.
- Personal Protective Equipment (PPE) must be worn by the operator when ever this equipment is being used (see Health & Safety).
- Make sure you know how to safely switch this machine **OFF** before you switch it **ON** in case you get into difficulty.
- Always switch **OFF** the engine before transporting, moving it around the site or servicing it.
- During use the engine becomes very hot, allow the engine to cool before touching it. Never leave the engine running and unattended.
- Never remove or tamper with any guards fitted, they are there for your protection. Always check guards for condition and security, if any are damaged or missing, **DO NOT USE THE PRO 600** until the guard has been replaced or repaired.
- Do not operate the machine when you are ill, feeling tired, or when under the influence of alcohol or drugs.

Fuel Safety



WARNING

Petrol is flammable. It may cause injury and property damage. Shut down the engine, extinguish all open flames and do not smoke while filling the fuel tank. Always wipe up any spilled fuel.

- Before refuelling, switch off the engine and allow it to cool.
- When refuelling, **DO NOT** smoke or allow naked flames in the area.
- Spilt fuel must be made safe immediately, by using sand. If fuel is spilt on your clothes, change them.
- Store petrol in an approved, purpose made container away from heat and ignition sources.

Vibration.

Some vibration from the trowelling operation is transmitted through the handle to the operator's hands. **DO NOT** exceed the maximum usage times.

PPE (Personal Protective Equipment).

Suitable PPE must be worn when using this equipment i.e. Safety Goggles, Gloves, Ear Defenders, Dust Mask and Steel Toe capped footwear. Wear clothing suitable for the work you are doing. Tie back long hair and remove any jewellery which may catch in the equipment's moving parts.


Electric Machines.

Electricity can kill! Always ensure that the machine is disconnected from the power supply before carrying out any maintenance/repairs. Never use the machine in wet conditions.

Petrol Machines.

Fuel.
Do not ingest fuel or inhale fuel vapours and avoid contact with your skin. Wash fuel splashes immediately. If you get fuel in your eyes, irrigate with copious amounts of water and seek medical attention as soon as possible.

Exhaust Fumes.



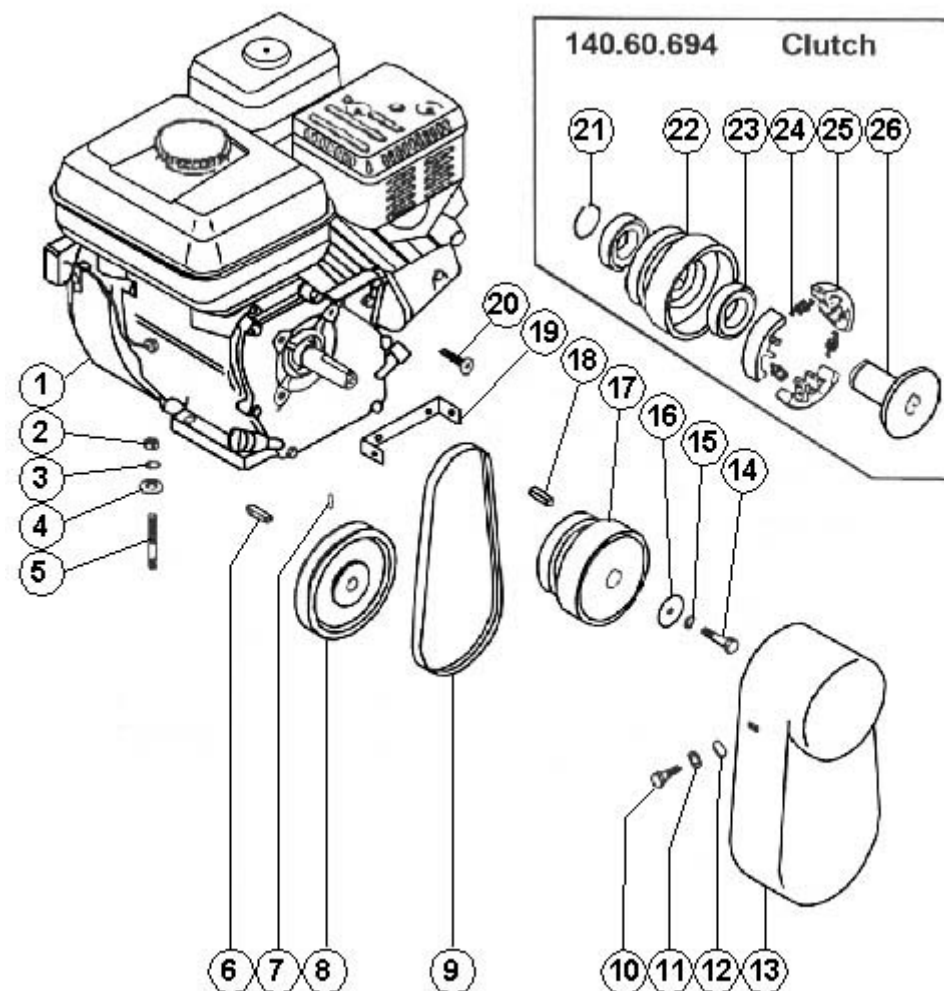
WARNING *The exhaust fumes produced by this equipment are highly toxic and can kill!*

Do not operate the Pro 600X indoors or in a confined space, make sure the work area is adequately ventilated.

Pre start-up inspection.

The following Pre-start-up inspection must be performed before the start of each work session or after every four hours of use, whichever is first. Please refer to the service section for detailed guidance. If any fault is discovered, the Pro 600 must not be used until the fault is rectified.

1. Thoroughly inspect the Pro 600 for signs of damage. Check components are present and secure. Pay special attention to the Drive Belt safety guard fitted between the engine and gearbox unit.
2. Check fluid lines, hoses filler openings, drain plugs and any other areas for signs of leakage. Fix any leaks before operating.
3. Check the engine oil level and top up as necessary.
4. Check the engine fuel level and top up as necessary.
5. Check for fuel and oil leaks.



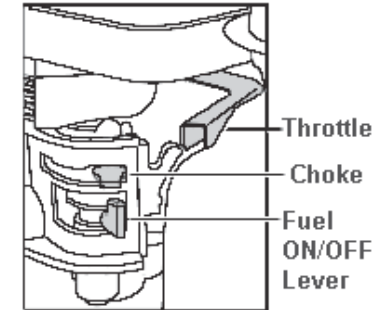
No	Part No	Description	Qty
1	140.60.681	Thrust Bearing Cap	1
2	140.60.652	Bearing	1
3	140.60.656	Retaining Ring	1
4	140.60.655	Retaining Ring	1
5	140.60.689	Bearing	1
6	140.60.651	Bearing	1
7	140.60.678	Rotating Disc	1
8	140.60.872	Pressure Plate	1
9	140.60.871	Main Shaft	1
10	140.60.663	Key M6 x 25	1
11	140.60.1153	Spider Plate	1
12	140.60.920	Washer	6
13	07.0.025	Socket Setscrew M8 x 25	1
14	140.60.870	Lift Lever	6
15	140.60.916	Oil Seal	6
16	140.60.1154	Stabiliser Ring	1
17	140.60.927	Float Disc	1
18	140.60.1108	Finish Blade	6
19	03.0.019	Socket Grubscrew M8 x 16	6
20	140.60.876	Trowel Arm	6
21	4/6005	Spring Washer M6	12
22	02.0.018	Setscrew M6 x 35	12
23	8/8001	Nut M8	6
24	140.60.918	Carriage Bolt M8 x 20	6
25	8/8001	Nut M8	6
26	03.0.008	Grubscrew M8 x 20	6
27	8/8001	Mut M8	6
28	03.0.008	Grubscrew M8 x 20	6
29	140.60.664	Key M8 x 7 x 50	1
30	140.60.665	V-Belt	1



Improper maintenance can be hazardous. Read and Understand this section before you attempt to start the machine.

Honda GX120.

1. Open the fuel tap by moving the fuel ON / OFF lever fully to the right.
2. If starting the engine from cold, set the choke ON by moving the choke lever fully to the left. If restarting a warm engine, the choke is usually not required, however, if the engine has cooled to a degree, partial choke may be required.
3. Turn the engine ON / OFF switch clockwise to the 'I' position.
4. Set the throttle to the idle position by moving the throttle lever fully to the right. Do not start the engine on full throttle.
5. Taking a firm hold of the control handle, grasp the recoil starter handle with the other hand. Pull the recoil starter until engine resistance is felt, then let starter return.
6. Hold the control handle safety switch and taking care not to pull the starter's rope fully out, pull the starter handle briskly.
7. Repeat until the engine fires.
8. Once the engine fires gradually set the choke lever to the OFF position by moving it to the right.
9. If the engine fails to fire after several attempts, follow the troubleshooting guide.
10. The machine is fitted with a centrifugal clutch. The spider plate will not rotate until the throttle is set to maximum.
11. To stop the engine, set the throttle to idle and release the control handle safety switch. Alternatively turn the engine **ON/OFF** switch anti clockwise to the 'O' position.
12. Turn the fuel off.



Electric

1. Ensure that the machine is plugged into an appropriate power supply.
2. Ensure that the **ON/OFF** switch is in the 'I' Position.
3. Press the green start button to start the motor.
4. If the motor fails to start after several attempts, refer to the troubleshooting section.
5. To stop the machine, turn the **ON/OFF** switch to the 'O' Position.

Using The Trowel

Guiding the trowel on the slab is very simple. Get into operator's position behind the centre of handle with good footing and apply the throttle slowly until desired speed is obtained.

Push handle down and machine will move to the right.

Lift handle up and machine will move to the left.

Slightly twist to the right and the machine will move forward.

Slightly twist to the left and the machine will move backward.

Holding the handle in neutral position the machine will remain stationary.

Preparation Of Concrete Surface

Use of a mechanical or air vibrating screeding machine to strike the concrete surface to level will provide good compaction to the slab and produce an ideal surface for finishing. It should be remembered floating/finishing machines will not repair or correct a poorly screeded slab.

Floating Operation

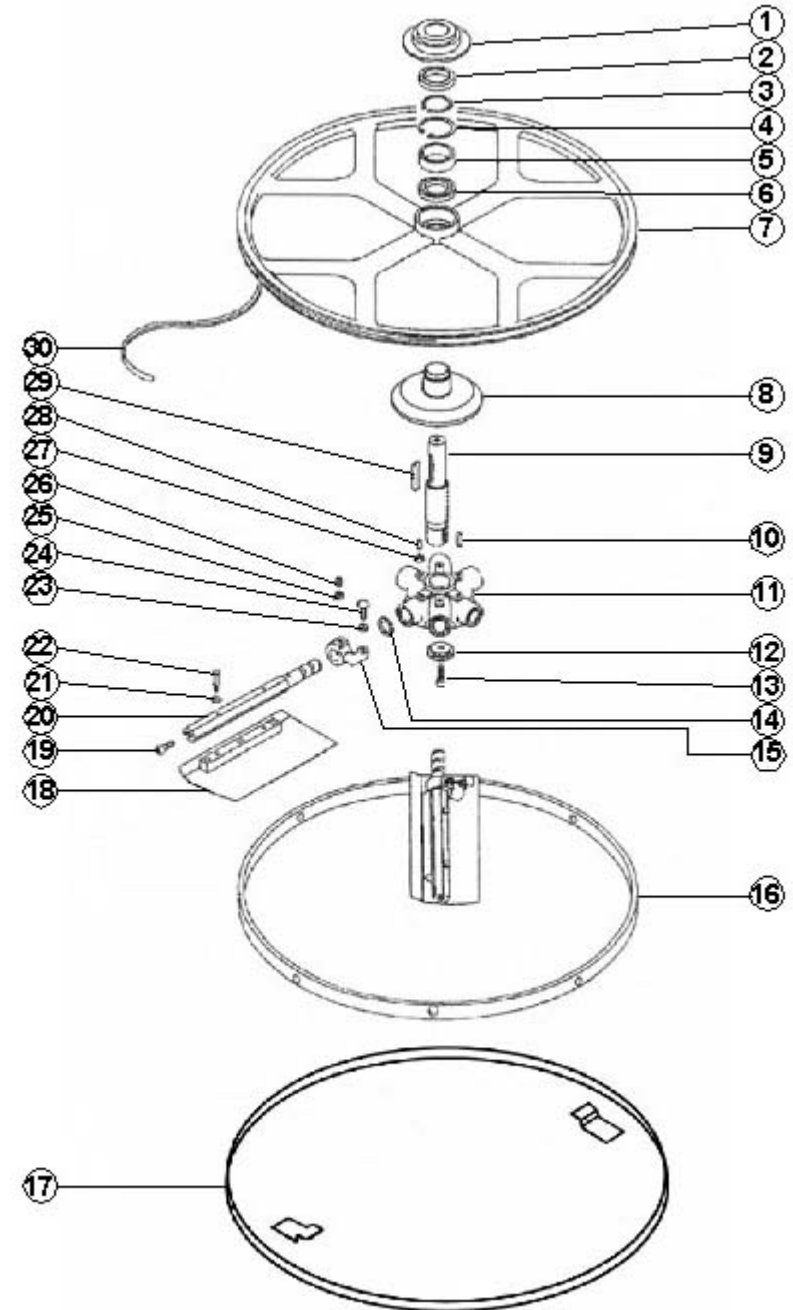
Before starting the floating operation be sure that the float disc is correctly mounted on the finishing blades. Be aware that with the blades arm turning clockwise, the float disc should be positioned the same way. The slab will be ready to work for the first floating operation when the heel of your shoes leave a print of 2-3mm on the surface of the slab. After the floated slab has set and your footprint is slightly visible, it is ready to start the finishing operation. The timing of all these operations is dependent on weather conditions. After each operation the engine should be stopped.

Never park the machine with the engine running, especially during the floating operation when the concrete is relatively soft. Considering the machine is heavy, should it be left running on the soft concrete in the same spot, this will cause damage to the finished floor tolerances.



WARNING

Never lift the machine by the guard ring.
Lift from the lifting point provided.



No	Part No	Description	Qty
42	140.60.657	Yoke	1
43	140.60.658	Yoke clip	1
44	140.60.697	Stud	4
45	140.60.006	Flat washer	4
46	140.60.005	Spring washer	4
47	140.60.060	Setscrew	4
48	140.60.985	Yoke support LH	1
49	140.60.672	Yoke pin	1
50	140.60.671	Retaining ring	2
51	140.60.785	Motor mounting Front	1
52	140.60.787	Screw	4
53	140.60.786	Motor mounting Rear	1
54	140.60.709	Motor stud	4
55	140.60.753	Screw	4
56	140.60.654	Handle	1
57	140.60.933	Bedplate	1
58	140.60.005	Spring washer	2
59	140.60.004	Screw	2
60	140.60.929	Spacer	1
61	140.60.934	Gearbox complete	1
62	140.60.984	Yoke support RH	1

- ### Finishing Operation

After the floating operation the first thing to do is to remove the float disc from the finishing blades and clean the blades, spider plate and protection ring of cement/ concrete paste collected during the floating operation. Increase the blade pitch up to 10mm for the first finishing operation and then continue to increase the pitch on the following finishing operations. Continue the finishing passes until you obtain the desired finished floor surface. The time required between each finishing pass is dependent on the weather conditions, cement and water content of the concrete. If some areas of the concrete set harden too fast you may apply a small amount of water with a brush to aid achieving a finish. Be careful when running the trowel on areas where water has been applied because the machine will tend to skate away. Be sure to maintain control at all times.

- ### Pitch Adjustment

The pitch control knob is in easy reach of the operator. The pitch adjustment has an unlimited pitch variation and this can be undertaken whenever it is necessary. During finishing the setting up/hardening may vary from area to area across the floor, so the pitch adjustment can be changed to suit accurately, when required, while the machine is in operation.

- ### Machine Cleaning

Clean the machine after it has been used to prevent the collection of hardened cement. Hard concrete/cement paste is very difficult to remove.

- ### Changing Blades

Be sure spark plug is disconnected before changing the blades. Make certain the machine is on a flat surface; adjust pitch control so that the blades are flat on the surface.



Be careful when changing old blades for new. Due to the way the blades wear, the old blades become very sharp like a knife blade. As a safety precaution wear heavy duty gloves during this operation to prevent the hands being cut.

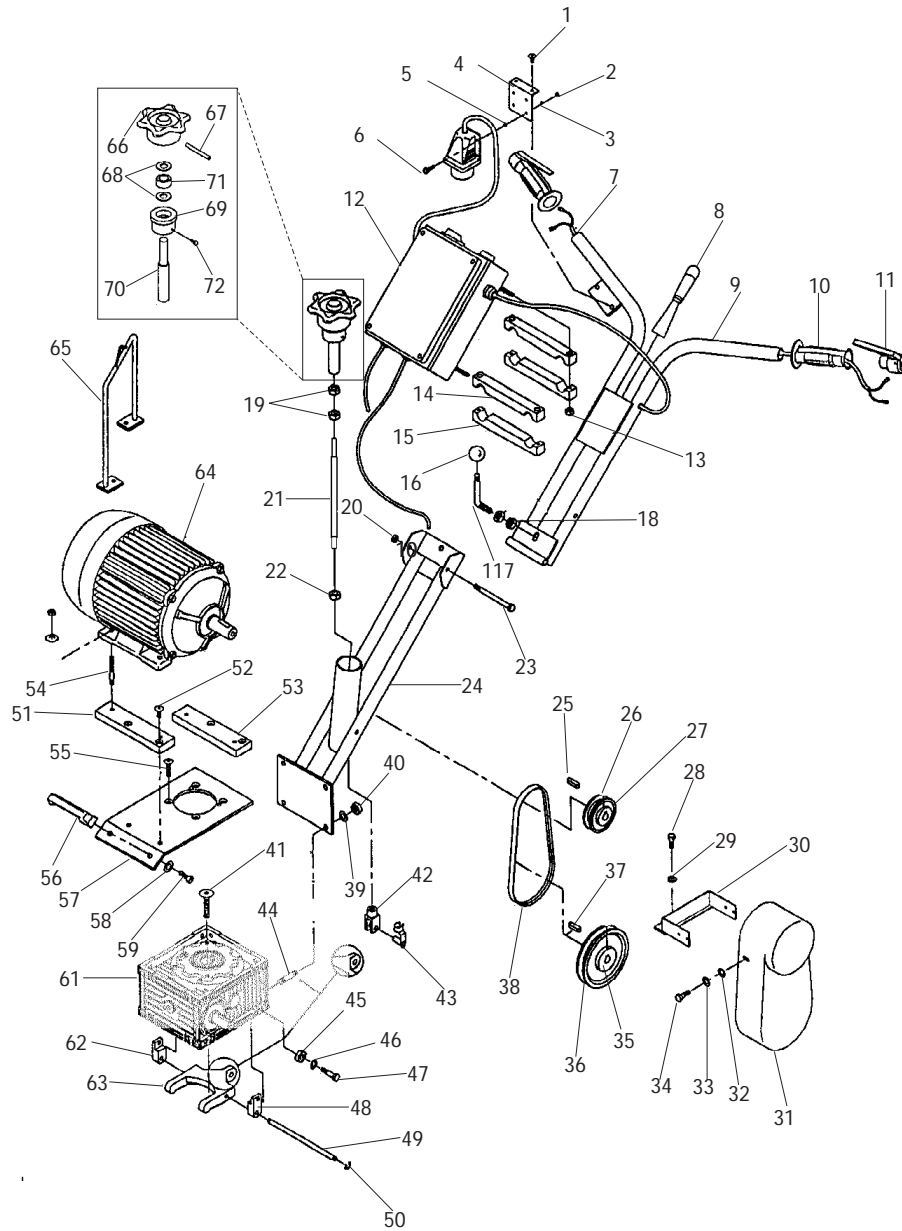
Remove bolts and lock washers on each trowel arm and remove the blades. Before installing new blades, clean all concrete/cement from bottom and sides of the trowel; be sure trowelling edge of the blade is behind trowel arm. Install bolts and lock washers on each trowel arm and fasten them.

- ### Liability

Belle Group declines any liability for possible damages to persons and / or things, which might arise from improper or wrong use of the machine or nonobservance of the operating instructions contained in this manual.

Problem	Cause	Remedy
Engine will not start.	No fuel getting to engine.	Open fuel tap. Fill fuel tank.
	Engine switched off.	Switch engine on.
	Spark plug fouled. gap.	Clean, check and reset plug gap.
	Engine cold.	Close choke.
	Engine flooded. engine fires.	Open choke, fully open throttle, pull recoil starter until engine fires.
	Cutout switch wire disconnected.	Reconnect wire
Leaving Swirls in concrete, Rolling Concrete or Bouncing	Main Shaft damaged.	Check and replace as necessary
	Spider Plate arms bent	Replace as necessary.
	Blades are unevenly adjusted. necessary.	Check and adjust as necessary.
	Blades are all different sizes. are the same size.	Replace, ensuring all blades are the same size.
	Blades are worn	Replace blades.

No	Part No	Description	Qty
1	140.60.282	Screw	2
2	140.60.354	Nyloc Nut	4
3	140.60.352	Washer	4
4	140.60.776	Socket mounting plate	1
5	140.60.352	Washer	4
6	140.60.779	Screw	4
7	140.60.906	Deadmans wire	2
8	140.60.731	Spatula	1
9	140.60.988	Upper handle	1
10	140.60.667	Handgrip	2
11	140.60.782	Deadmans lever	2
12	140.60.891	Starter complete	1
13	140.60.729	Nyloc nut	4
14	140.60.921	Upper clamp	2
15	140.60.922	Lower clamp	2
16	140.60.822	Knob	1
17	140.60.821	Locking lever	1
18	140.60.035	Nut	2
19	140.60.165	Nut	2
20	140.60.050	Locknut	1
21	140.60.986	Height adjustment rod	1
22	140.60.165	Nut	1
23	140.60.666	Setscrew	1
24	140.60.988	Lower handle	1
25	140.60.119	Drive key	1
26	140.60.302	Drive taperlock bush	1
27	140.60.820	Drive pulley	1
28	140.60.057	Setscrew	2
29	140.60.047	Spring washer	2
30	140.60.784	Belt guard mount	1
31	140.60.691	Belt guard	1
32	140.60.099	Flat washer	2
33	140.60.468	Spring washer	2
34	140.60.057	Setscrew	2
35	140.60.302	Driven taperlock bush	1
36	140.60.693	Driven pulley	1
37	140.60.711	Driven key	1
38	140.60.612	Drive belt	1
39	140.60.145	Flat washer	4
40	140.60.165	Nut	4
41	140.60.138	Capscrew	1



MAINTENANCE

The Belle Group Pro Trowels are designed to give many years of trouble free operation. It is, however, important that the simple regular maintenance listed in this section is carried out.

It is recommended that an approved Belle Group dealer carries out all major maintenance and repairs. Always use genuine Belle Group replacement parts, the use of spurious parts may void your warranty.

Before any maintenance is carried out on the machine, switch off the engine and disconnect the HT lead from the sparkplug.

Always set the Trowel on level ground to ensure any fluid levels will be correctly read. Only use recommended oils (see chart below).

Running In Period

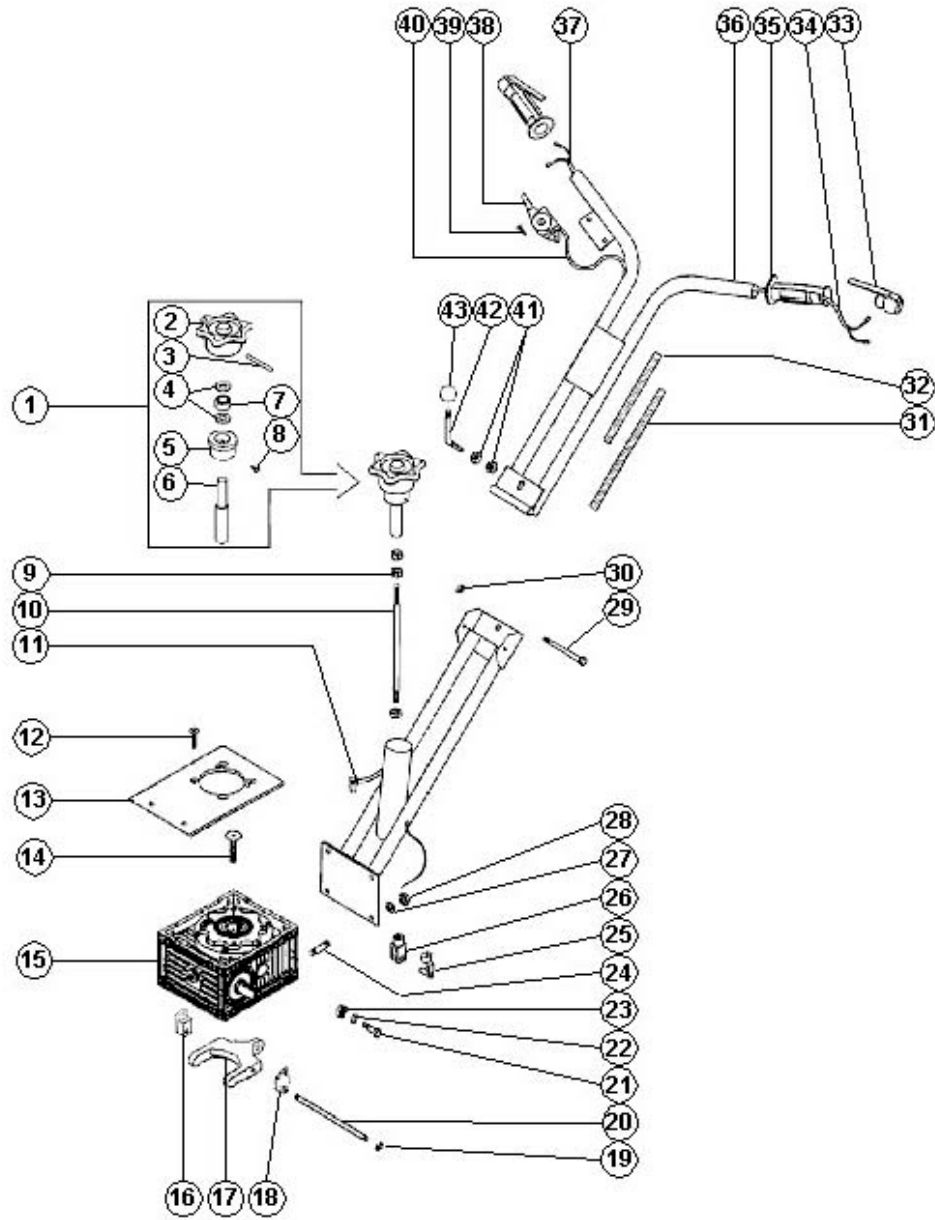
When the floor saw is first used from new, the engine oil must be changed after the initial running in period (see engine manual for full detail).

The belt tension should be checked after 4 hours use.

Routine Maintenance		after first 4 hours & Daily	first month / 20h	3 month / 50h	6 months / 100h
Engine Oil	Check Level	✓			
	Change		✓		✓
Air Filter	Check Condition		✓		✓
	Clean / Replace			✓	
Spark Plug	Check / Clean				✓
Drive Belt	Tension	✓	✓	✓	

Oil / Fuel Type & Quantity - Spark Plug Type

	Oil type	Quantity	Fuel Type	Capacity	Spark Plug Type	Electrode Gap
Petrol Engine	GX120 SAE 10W-30	1.26 Pints	Unleaded	5.3 Pints	BM6ES or BMR6EA	0.028 - 0.031 in
Gearbox	EP90	1.26 Pints	NA	NA	NA	NA



No	Part No	Description	Qty
1	140.60.726	Pitch Control Assembly	1
2	140.90.025	Hand Knob	1
3	06.1.018	Roll Pin	1
4	140.60.028	Bearing Disc	2
5	140.90.029	Bushing	1
6	140.60.685	Slide Bushing	1
7	140.60.026	Thrust Bearing	1
8	07.0.068	Socket Head Screw	1
9	8/10003	Nut M10	3
10	140.60.986	Tie Rod M10 x 230	1
11	140.60.706	Throttle Connector	1
12	140.60.753	Countersunk Screw	4
13	140.60.933	Mounting Plate	1
14	140.60.375	Socket Head Screw	1
15	140.60.934	Gearbox Complete	1
16	140.60.984	Yoke Support Right	1
17	140.60.713	Yoke Arm	1
18	140.60.985	Yoke Support Left	1
19	140.60.671	Retaining Ring	2
20	140.60.672	Yoke Pin	1
21	7/8012	Setscrew M8 x 25	2
22	4/8003	Washer M8 Spring	2
23	8/8001	Nut M8	2
24	140.60.697	Stud	4
25	140.60.658	Yoke Clip	1
26	140.60.657	Yoke	1
27	4/1003	Washer M10 Spring	4
28	8/10003	Nut M10	4
29	00.0.158	Bolt M8 x 110	1
30	8/8008	Nut M8 Nyloc	1
31	140.60.754	Armoured Hose	1
32	140.60.723	Armoured Hose	1
33	140.90.669	Deadman Lever	2
34	137.90.823	Deadman Wire 2200mm	1
35	140.90.667	Handle Grip	2
36	140.60.988	Handle	1
37	137.90.930	Deadman Wire 900mm	1
38	140.60.280	Throttle Lever	1
39	140.90.282	Countersunk Screw	2
40	140.60.824	Throttle Cable Honda	1
41	8/10006	Nut M10 Nyloc	2
42	140.60.821	Lever	1
43	140.60.822	Knob	1